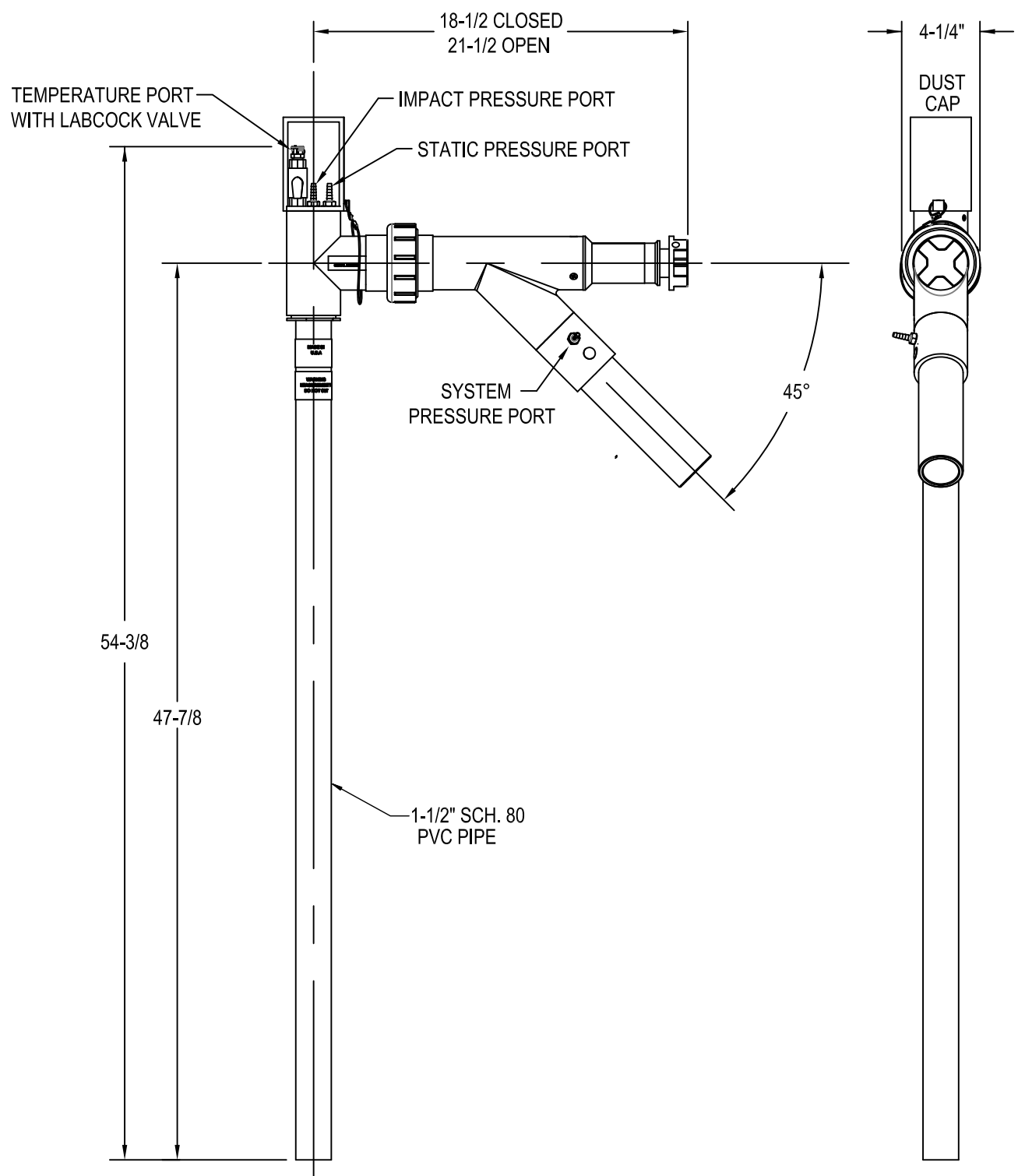


**Accu-Flo WELLHEAD, 1.5" VERTICAL PVC WITH 2" Exact-Flo VALVE,
 BARB FITTINGS FOR STATIC AND IMPACT PRESSURE AND
 LABCOCK VALVE FOR TEMPERATURE.**



SCALE 1 = 8



734-995-2547 -US HEADQUARTERS
 734-995-1170 -FAX
 800-624-2026 -NORTH AMERICA TOLL FREE
 www.QEDENV.COM -WEB PAGE

MATERIAL FINISH	APPROVALS	DATE	TITLE
	DESIGNER	8-23-21	AF015-V-E2-B
	CHECKED		DWG No. 606381
	APPROVED		SCALE 1 = 8
			REV -
			SHT 1 OF 1