



PRECISION WELLHEADS ORP215M-R

QED ORIFICE PLATE WELLHEADS



A REVOLUTIONARY DESIGN JUST GOT BETTER!

The **QED ORP215M-R** Wellhead combines easy orifice plate exchanges for more accurate flow measurement with precise adjustment of gas flow, especially at very low rates (under 10 scfm). Changing to the correct orifice plate takes only seconds, with no time wasted shutting down the control valve or retuning the well. Only the ORP215M-R family includes a complete kit of six orifice plates securely attached to the wellhead for quick access. A removable dust cover permits easy confirmation of plate size, giving you high confidence in your flow measurements. The Precision Fine Tune Control Valve provides exact control of gas flow. Unlike traditional valves, this unique design achieves near linear flow adjustment across its entire range. Molded, glass-filled polypropylene construction boosts strength and resistance to harsh field conditions, significantly increasing wellhead durability. Easier hose fitting and simpler service save valuable field time and help reduce maintenance and labor costs.

FEATURES

- Glass filled molded construction is resistant to UV and weather
- Serviceable control valve with stainless steel rod for long service life
- Permanent orifice plate retainer keeps plates at hand
- Easy port fittings wellhead fittings quick, protected analyzer connections
- Tapered field connection for easy to attach hose

© Product designs and specifications are subject to change without notice. User is responsible for determining suitability of product.

QED Environmental Systems Inc.
2355 Bishop Circle West Dexter, MI 48130, USA



QED Environmental Systems Ltd.
Cyan Park, Unit 3 Jimmy Hill Way, Coventry CV2 4QP, UK

 info@qedenv.com  800.624.2026
734.995.2547

WWW.QEDENV.COM

 sales@qedenv.co.uk  +44 (0) 333 800 0088

ORP215M-R

Orifice Plate Kit: 40770

Set of 6 Nylon plates:

- 0.40" (10 mm)
- 0.50" (13 mm)
- 0.75" (19 mm)
- 1" (25 mm)
- 1.25" (31 mm)
- 1.40" (35 mm)
- Stainless Steel
- S-retainer
- Stainless Steel Kit for horizontal wellheads

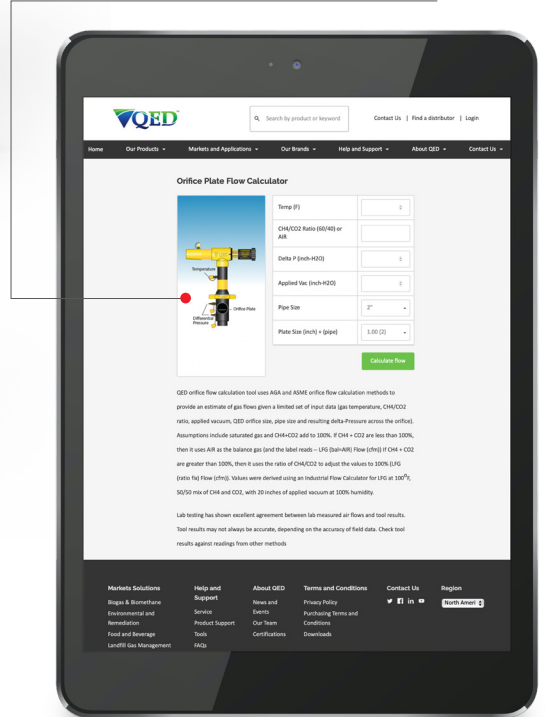


2" WELLHEAD (Ranges in scfm)

Orifice Plate Diameter	0.40"	0.50"	0.75"	1.00"	1.25"	1.40"
	1.6	2.6	5.9	10.7	17.7	23.7
	5.2	8.2	19.6	33.8	56	75

Optimal Flow Range using 0.5-5 inch DP

Orifice Plate Flow Calculator



Easy Port™ Wellhead Fittings

The 1st barbed LFG wellhead fitting with a screw-on cap.

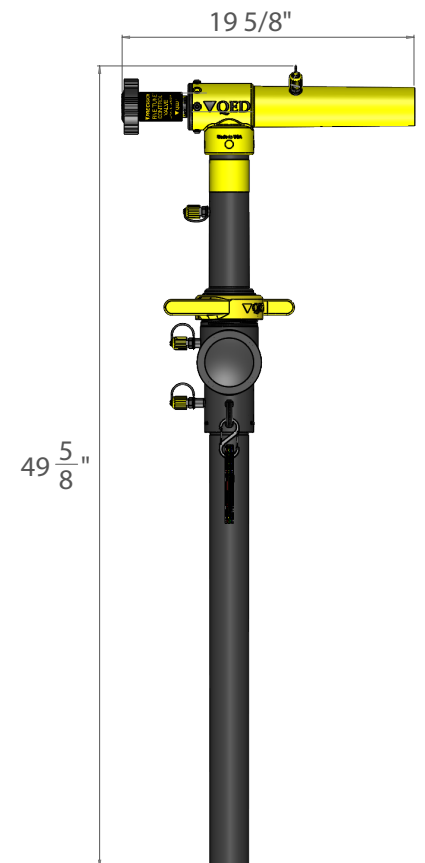
QED's Easy Port™ Fittings are engineered specifically for LFG wellheads. Made with fiber reinforced engineered plastic, they have a screw-on cap that seals tightly, making them bird proof. The sample ports have heavy walls to reduce heat loss and freezing, and are UV protected for much longer field life. The cap seals tightly but can be easily removed with a simple twist, and it is tethered to the fitting so it cannot be dropped or lost.



Use the ORP Flow Calculator to determine the best orifice plate for your site conditions.
<https://www.qedenv.com/en-us/tools/orifice-plate-flow-calculator/>

TECHNICAL SPECIFICATION

Wellhead Model:	ORP215M-R
Flow Range:	0-125 scfm (0-212 m3/h)
Wellhead Materials:	Glass-filled polypropylene, Viton®
Operating Temperature:	-20 to 200 °F (-28 to 94 °C)
Flow Adjustment:	0-100% via 10 turn valve
Operating Orientation:	Vertical or Horizontal Specific Models
Orifice Plates - Size (in)	0.4, 0.5, 0.75, 1.0, 1.25 & 1.40 (0.62 coefficient)
Orifice Plate Material	Vertical - Nylon; Horizontal - Stainless Steel



QED Environmental Systems Inc.
2355 Bishop Circle West Dexter, MI 48130, USA

info@qedenv.com 800.624.2026
734.995.2547

Data Sheet Reference: TDS 2413

QED
WWW.QEDENV.COM

QED Environmental Systems Ltd.
Cyan Park, Unit 3 Jimmy Hill Way, Coventry CV2 4QP, UK

sales@qedenv.co.uk +44 (0) 333 800 0088