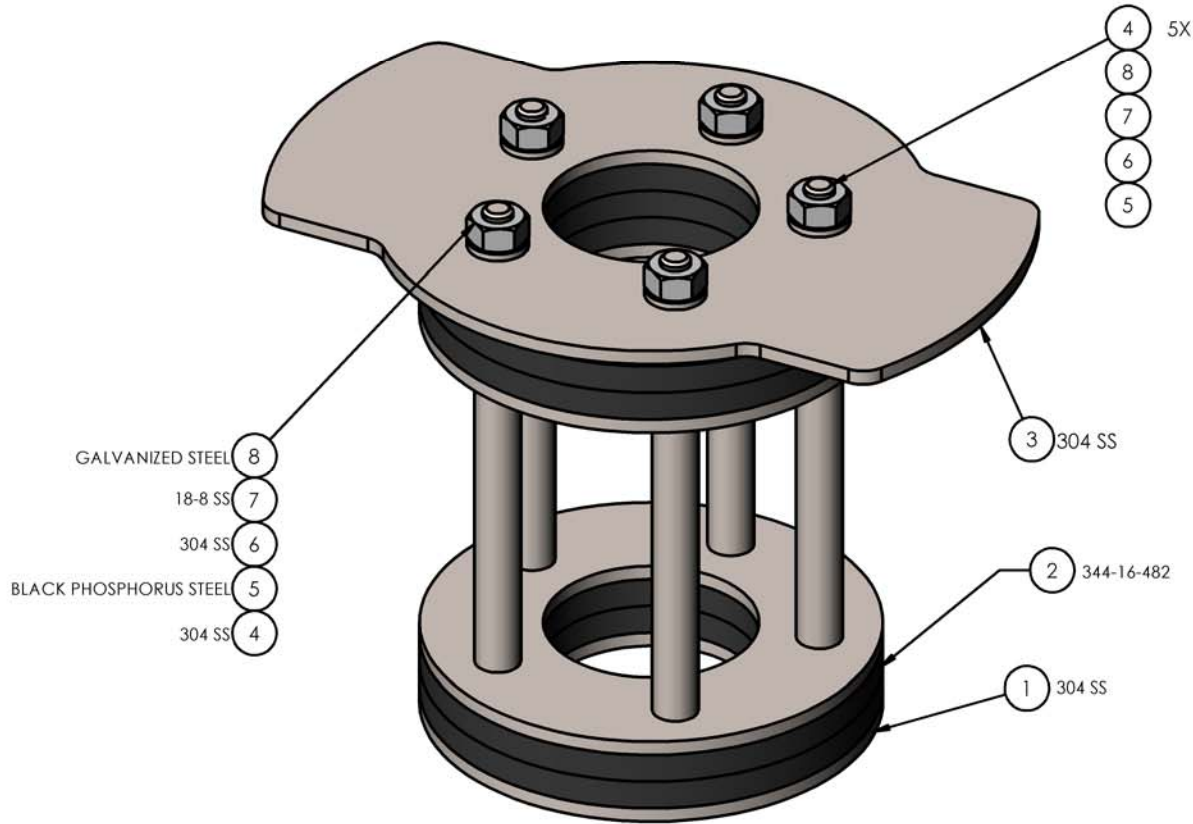


THE INFORMATION CONTAINED IN THIS DRAWING IS THE SOLE PROPERTY OF QED ENVIRONMENTAL ANY REPRODUCTION IN PART OR WHOLE WITHOUT THE WRITTEN PERMISSION OF QED ENVIRONMENTAL IS PROHIBITED.

US PATENT 9,316,082, B2




ITEM	PART NUMBER	DESCRIPTION	QTY.
1	411-1-CP R1	Clamp Plate	3
2	411-1-GA R1	Rubber Gasket	5
3	411-1-TP R1	Top Plate	1
4	CB25	Carriage Bolt	5
5	RW25	Retaining Washer	5
6	S25	Spacer	5
7	W25	Narrow Flat Washer	5
8	41408	HEX NUT, HDG	5

- GALVANIZED STEEL 8
- 18-8 SS 7
- 304 SS 6
- BLACK PHOSPHORUS STEEL 5
- 304 SS 4

**APPLICATION CONFIRMATION**  
 WELL CAP IS DESIGNED FOR  
 4 IN SCH 80 PVC WELL CASING  
 APPROX INSIDE Ø 3.826 IN  
 CUSTOMER INITIALS \_\_\_\_\_

**SUBMITTAL NOTES**

- THRU HOLE IS SIZED FOR 1.25" QED GAS WELLHEAD
- OD OF CAP APPROPRIATELY SIZED FOR 4" DR17 HDPE PIPE
- PRESSURE TESTED TO 23.2 PSI

UNLESS OTHERWISE SPECIFIED, DIMENSIONS ARE IN INCHES AND INCLUDE PLATING REMOVE ALL BURRS	DRAWN BY	TR	DATE	5/6/20	 2355 BISHOP CIRCLE W, DEXTER, MI. 48130 TITLE 4 IN WELL CAP ASSEMBLY 1-1/4 GAS PIPE 1 PORT
	CHECKED BY	-	DATE	-	
	APPROVED BY	-	DATE	-	
	OTHER TOLERANCES AS SPECIFIED				
REVISIONS	NEXT ASSY	-	MATERIAL	-	DWG. NO. 411-1-WCA SUBMITTAL
REV.	DESCRIPTION	USED ON	FINISH	-	SCALE 1:2 SHEET 1 OF 1 REV. -
1	Initial production drawing	-	-	-	