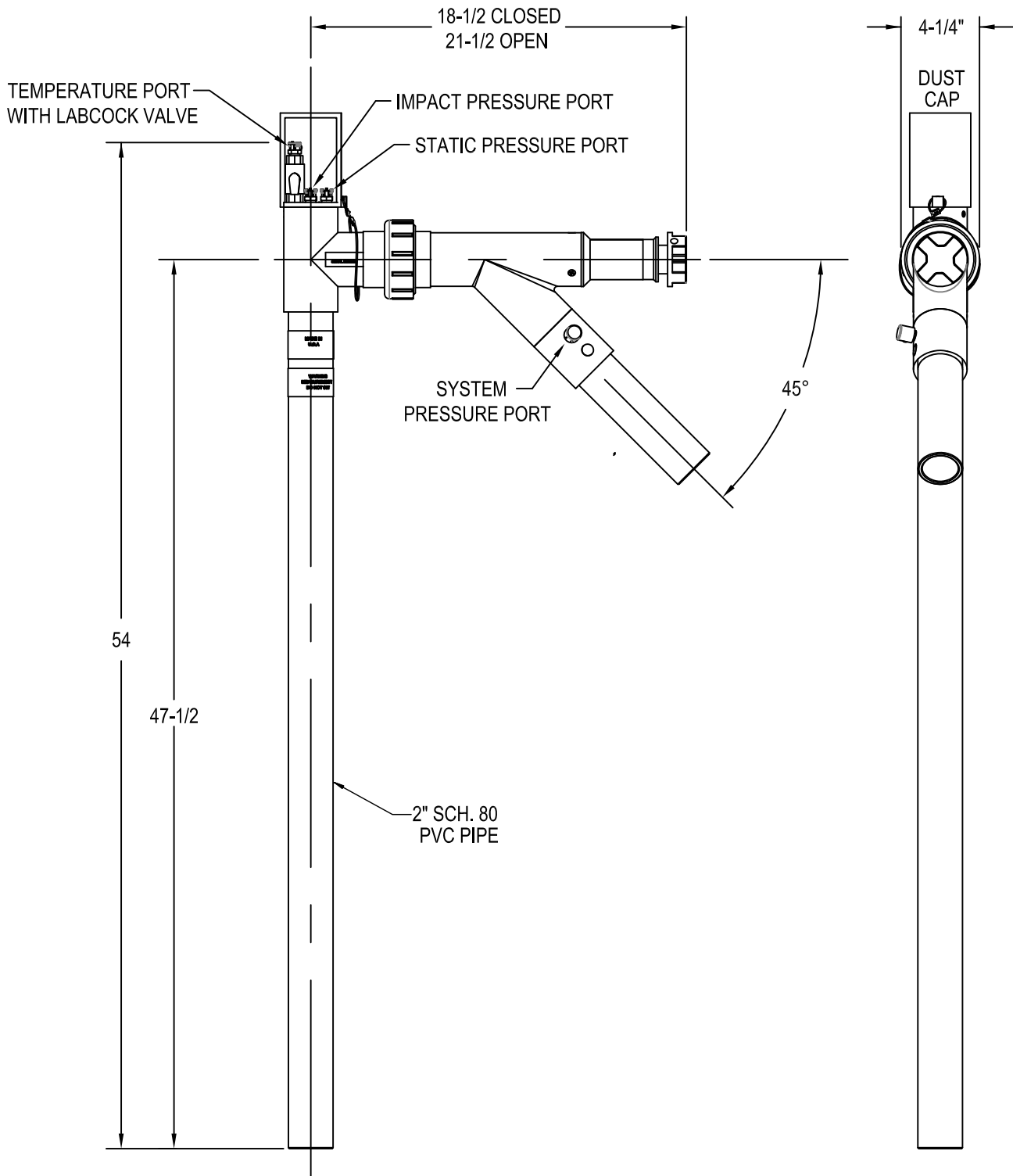


Accu-Flo WELLHEAD, 2" VERTICAL PVC WITH 2" Exact-Flo VALVE,  
 QUICK CONNECT FOR STATIC AND IMPACT PRESSURE AND  
 LABCOCK VALVE FOR TEMPERATURE.



SCALE 1 = 8



734-995-2547 -US HEADQUARTERS  
 734-995-1170 -FAX  
 800-624-2026 -NORTH AMERICA TOLL FREE  
 WWW.QEDENV.COM -WEB PAGE

| TOLERANCES UNLESS OTHERWISE SPECIFIED |               | APPROVALS    | DATE     | TITLE          |
|---------------------------------------|---------------|--------------|----------|----------------|
| ANGULAR : .5°                         |               | DRAWN        | 12-19-18 | AF020-V-E2-Q   |
| FRAC : .XXX : .005                    |               | TONY RAMIREZ |          |                |
| .XX : .01                             | .XXXX : .0005 | DESIGNER     | 12-20-18 | DWG No. 606322 |
| MATERIAL                              |               | CHECKED      | 12-20-18 | REV -          |
| FINISH                                |               | APPROVED     | 12-20-18 | SCALE 1 = 8    |
|                                       |               |              |          | SHT 1 OF 1     |