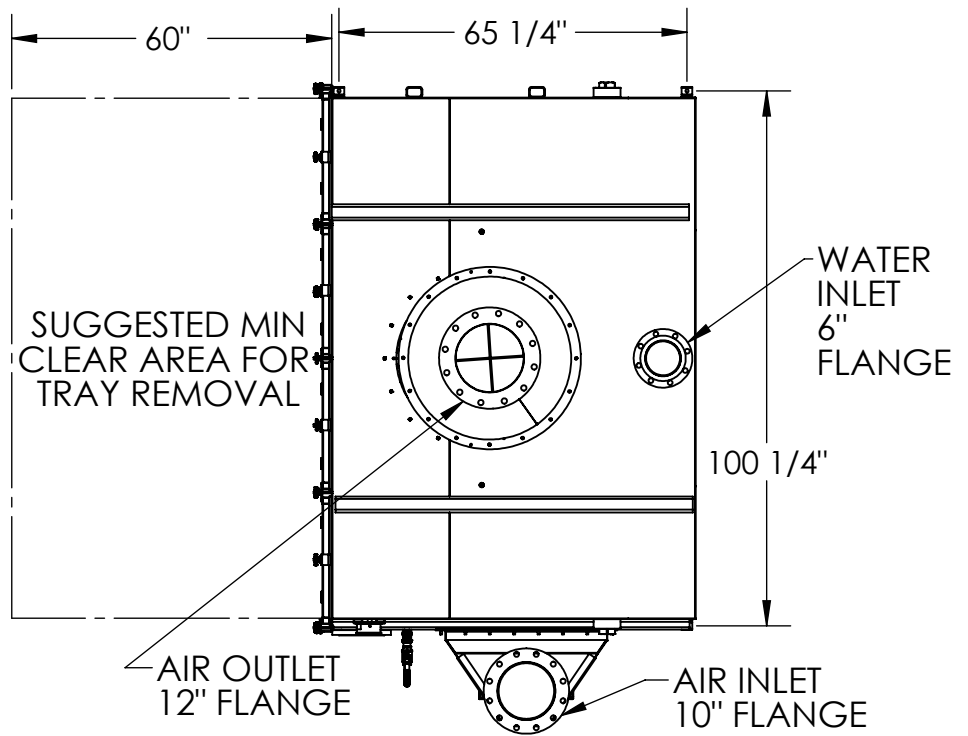


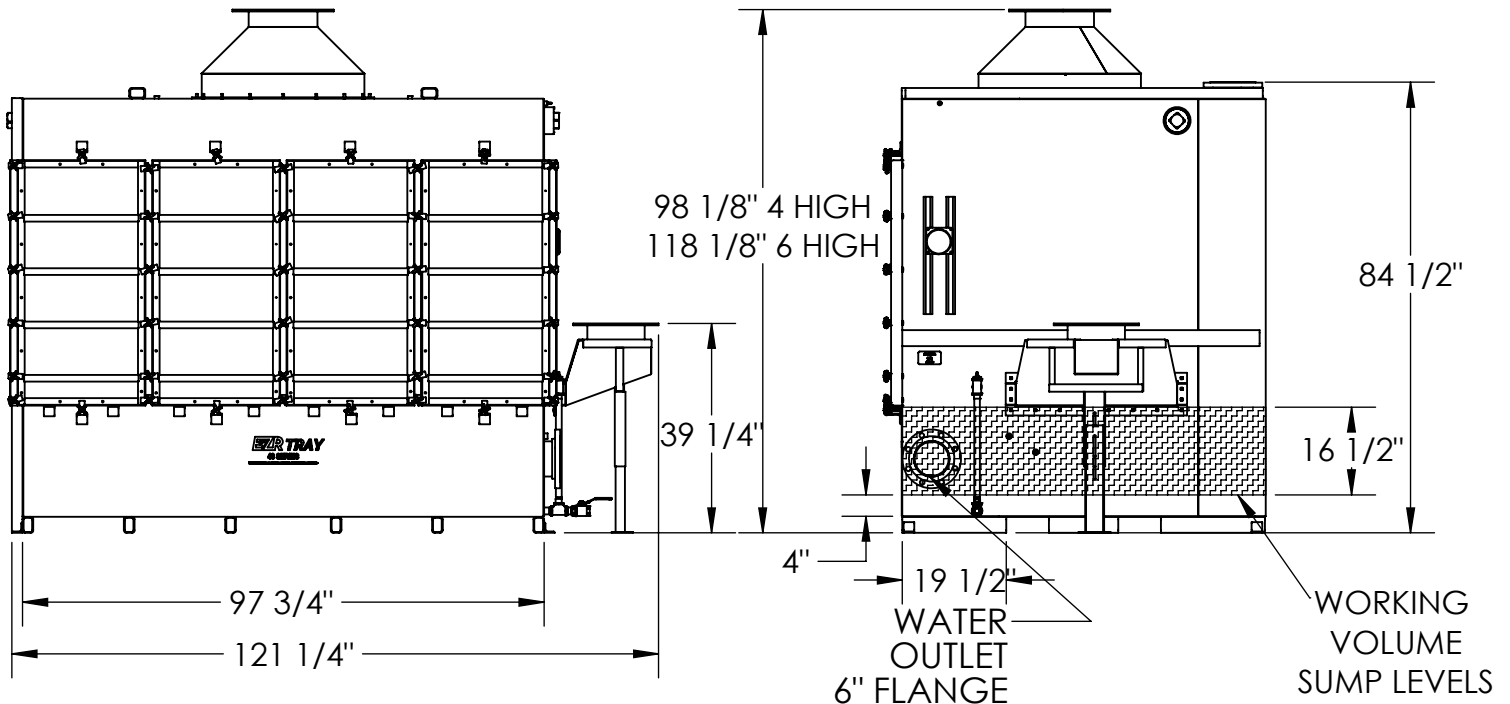
## **E-Z TRAY EZ-48HF**

### GENERAL SPECIFICATIONS

- Max. flow rate: 500 GPM
- Air flow: 2600 CFM
- Sump working vol.: 602 GAL
- Materials of construction: 304SS , polycarbonate door, neoprene gaskets and polyester felt.



**PLAN VIEW**



**FRONT VIEW**

**SIDE VIEW**

**EZ-48HF (AIR STRIPPER ONLY)**

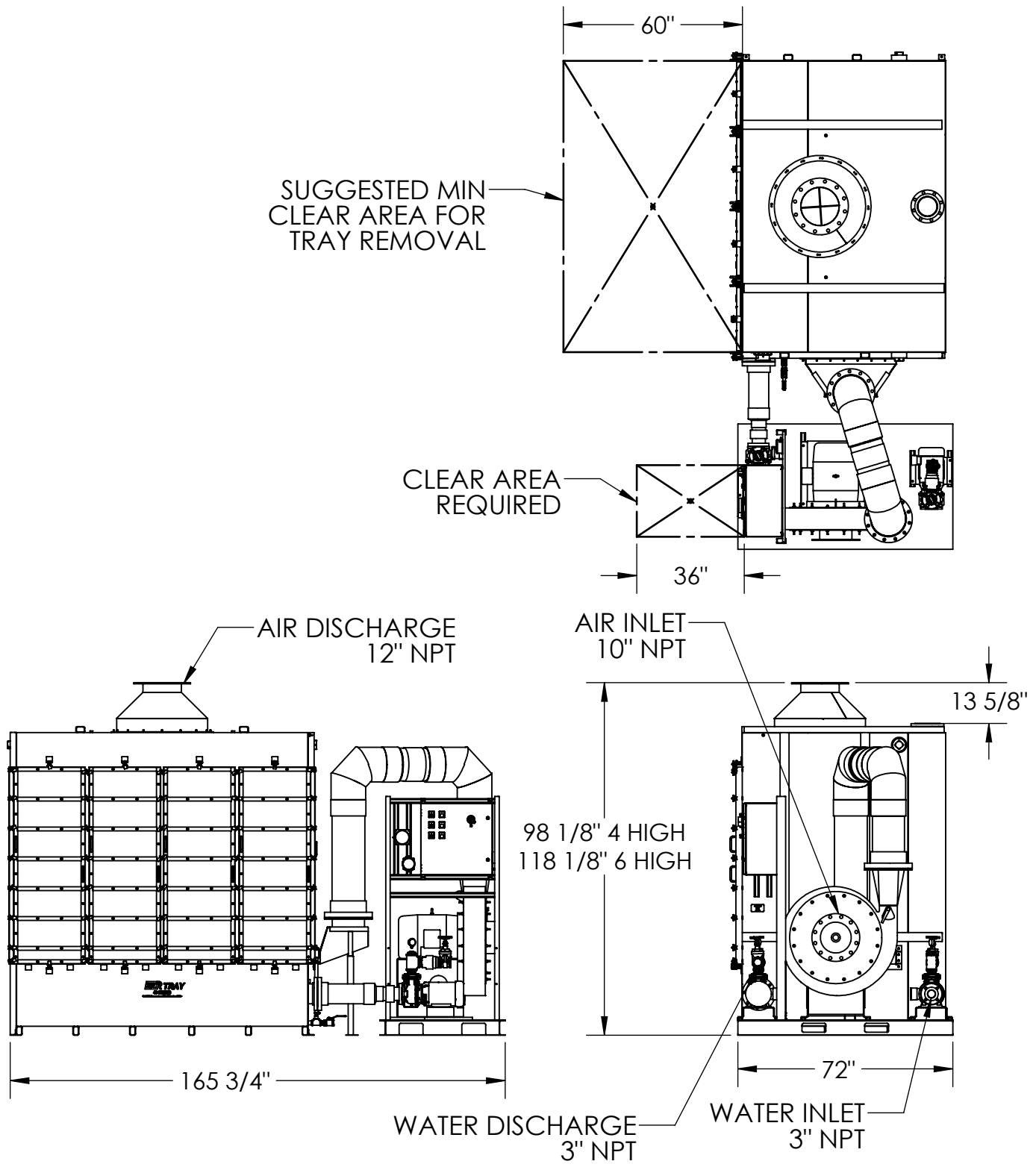
FOR MORE SPECIFICATIONS SCAN:

<http://www.qedenv.com>



NOT TO SCALE, NOT FOR CONSTRUCTION, FOR REFERENCE ONLY  
LICENSED UNDER PATENT # 10,272,356 B2 AND  
MORE U.S. AND NON U.S. PATENTS.

THE ACTUAL UNIT MAY LOOK DIFFERENT THAN SHOWN IF 6 HIGH UNIT.



NOT TO SCALE, NOT FOR CONSTRUCTION, FOR REFERENCE ONLY  
 LICENSED UNDER PATENT # 10,272,356 B2 AND  
 MORE U.S. AND NON U.S. PATENTS.  
 THE ACTUAL UNIT MAY LOOK DIFFERENT THAN SHOWN IF 6 HIGH UNIT.