

EZ-Stacker Air Stripper

Operation & Maintenance Manual

P/N 95166 4/10/13



QED Environmental Systems

2355 Bishop Circle West, Dexter, MI 48130 Phone: 800-624-2026 Fax:734-995-1170

IMPORTANT—PLEASE READ

Thank you for choosing QED treatment equipment to handle your air stripping needs. This manual contains information relating to equipment commonly ordered as part of a QED stripper system. This manual is generic, and your specific order may not include all the equipment listed within this manual. Upon receipt of this equipment, it is important for the customer to do the following:

1. Inspect all the pieces of equipment shipped to verify the order is complete,
2. Confirm that vendor-specific instructions are included for each piece of equipment,
3. Remove any additional instructions that have been included in this manual which are not part of your specific sales order. This will avoid future confusion.

A specific example of this relates to the transfer pumps. This manual includes operation and maintenance instructions for centrifugal transfer pumps, although sometimes pumps are not part of the customer's specific order. Upon inspection of equipment, if the customer finds that pumps are not part of their order, the pump instructions should be removed from this manual. The other pieces of equipment should similarly be inspected and checked that the associated instructions are included in this manual, and any non-relevant instructions are removed.

Should you have any questions about your QED equipment, please contact the QED Service Department at 1-800-624-2026 or 734-995-2547. Thank you for your order and good luck with startup.

QED EZ-Stacker™ Operations and Maintenance Manual

Introduction

This manual contains instructions for installing, start-up and operation of a QED EZ-Stacker™ Air Stripper for the treatment of dissolved-VOC-contaminated waters. The EZ-Stacker™ Air Stripper is a sieve tray type of stripper which accomplishes mass transfer by creating a large amount of fine air bubbles into which volatile organics are stripped. Efficient stripping with this type of a unit is affected by:

- Water temperature-- higher temperature allows better stripping
- Specific compound being stripped--higher Henry's Law constant equals better stripping
- Air to water ratio--the higher the air to water ratio (air flow for a given water flow) the better the stripping
- Stripper efficiency--certain design elements, such as tray design affect stripping efficiency
- Surfactants (soaps, cleaning agents, etc.) and oil/grease can negatively impact stripping efficiency

From an operation standpoint the single most important factor is ensuring that the recommended amount of clean air is flowing through the stripper. Air flow is most affected by tray fouling (typically with precipitated iron oxides) which creates back pressure on the blower and causes it to operate at a lower air flow point on its curve. Maintaining clean trays and using the excess capacity on the blower can help control fouling conditions. Occasional gasket replacement can be anticipated depending on the frequency of stripper disassembly and reassembly. The stripper blowers and any transfer pumps should be regularly maintained based upon the manufacturer's maintenance schedule. All other stripper components are largely maintenance free. Please refer to Figure 1 at the end of this manual for understanding terminology.

Installation

Installing Skid Mounted Systems

Complete skid mounted systems arrive at your site as shown in Figure 1. A system of this type is mounted, piped and optionally wired at the factory. All components and functions are 100% wet checked.

Influent piping. Connect system influent piping to the influent feed pump or directly to the stripper at the piping connection located on the top of the stripper. Factory piped influent feed pump systems use flexible pressure hose between the pump and the stripper influent piping connection and includes a check valve to prevent air backup into a transfer tanks or oil water separator. If the stripper

influent is plumbed directly on site, a flexible hose connection is recommended to ease stripper disassembly and reassembly during use.

Effluent piping. Factory piped effluent discharge pump systems use flexible pressure hose between the stripper discharge piping connection, located at the bottom of the stripper sump and the effluent discharge pump. Factory installed gravity discharge piping connects at the same discharge point on the stripper sump and utilizes a gravity drain kit which includes a siphon break and water head seal. If the stripper is plumbed on site connect the discharge pump to the stripper sump at the discharge connector. Gravity drain piping should be a minimum of 2-3" in diameter (depends on the model) and designed as shown in Figures 4 or 5.

Blower piping. *Important! Total sump pressures should never exceed 50" WC! This will void QED Warranty.* The blower piping that connects the blower to the air stripper are typically of an inverted-U shape, with a high leg to reduce the chance of flooding the blower in the event of an unforeseen flood condition.

On EZ-2.xP models, QED typically use regenerative blowers sized so that they do not require much, if any, throttling of the airflow. Regenerative blowers are limited in the amount of throttling that can be applied, since added backpressures may cause the blower motor to run above full-load-amp condition and cause the blower motor to overheat. If customer is installing their own piping kit on an oversized regenerative blower, it is recommended that an air dilution/bleed valve be installed in the blower piping to provide flexibility in controlling airflow.

Stripper Air Discharge Stack. The stripper discharge pipe is located on top of the air stripper and is 4" or 6" in diameter (depending upon model). The wider section of the discharge porting contains the demister element which removes entrained water droplets from the air exiting the stripper. Coalesced water droplets collect on the demister and then fall back into the stripper top tray. Piping or ducting for the stripper discharge stack should be of equal diameter or larger to avoid creating excess back pressure on the stripper blower. A flexible coupling, such as a Fernco brand, is recommended to connect the discharge pipe to the stripper air discharge stack to ease unit disassembly for cleaning. It is also important to pipe the air stripper air discharge such that it is not in proximity with the air stripper blower inlet; this minimizes the risk of sending already-contaminated air back into the air stripper and reducing stripper performance.

Sensors. Normal sensors used with this type of air stripper include a sump high level alarm float sensor, sump low air pressure sensor and optional discharge pump on-off float sensor. If these sensors are supplied with the stripper they will be installed in the stripper sump and piping. Often the system control panel must be mounted in a remote location from the stripper (in cases where the location is classified as an explosion hazard area.) If the panel is to be remotely-mounted a licensed electrician should hook the stripper sensors up to the panel. It is

important that these sensors be tested prior to operating the stripper. A frequent cause of improperly operating systems are float sensors which act in the opposite sense of that which the control panel expects (normally-open vs. normally-closed). It is also important to conform to electrical code requirements for classified areas; sensors may require intrinsically safe barriers.

Installing Bare Stripper Sump and Tray Systems

Bare stripper sump and tray systems are provided in cases where the contractor will mount the stripper to a user supplied skid or concrete pad. These systems are supplied with a second gasket compression ring that anchors the gasket compression rods at the bottom of the stripper. The bottom gasket compression ring has tabs protruding around its circumference which allow mounting of the ring to a skid or concrete pad.

If the blower is purchased from the factory it is recommended that the blower piping package also be purchased. If the contractor is supplying their own blower it must meet the typical performance specifications listed below to achieve the desired contaminant removals. If the air stripper is built to non-standard parameters, the performance specifications below may not apply.

<u>Air Flow:</u>	140 cfm (for EZ-2.xP) or 280 cfm (for EZ-4.xP) at maximum system back pressure
<u>Pressure:</u>	Sufficient to overcome tray, piping and air treatment process back pressures at a flow rate of 140cfm. <i>Important! Total sump pressures should never exceed 50" WC! This will void QED Warranty.</i>
<u>Tray Back Pressures</u>	16-20"H ₂ O for 4-trays; 24-30"H ₂ O for 6-trays (assuming no add'l pressure from equipment downstream of air stack).

The blower piping should include a high leg which acts to reduce the risk of flooding the blower if the high sump level sensor was to malfunction in the stripper sump. See Figures 2 and 3 (for models EZ-2.xP and EZ-4.xP, respectively) for examples of proper blower piping configurations.

The EZ-2.xP models typically use regenerative blowers sized so that they do not require much, if any, throttling of the airflow. Regenerative blowers are limited in the amount of throttling that can be applied, since added backpressures can cause the blower motor to run above full-load-amp conditions and overheat. If customer is installing their own piping kit on an oversized regenerative blower, it is recommended that an air dilution/bleed valve be installed in the blower piping to provide flexibility in controlling airflow. A throttle valve is shown in Figure 1; a dilution/bleed valve is not shown.

Influent and effluent piping and sensor hook-up should be as described in the section on skid mounted systems, above.

Startup

The EZ-Stacker™ stripper is designed to start up dry without priming the sealpot or throttling the blower. The stripper blower should be running before water is introduced to the stripper. Water flows into the top tray and proceeds tray by tray to the stripper sump. Stripper seal pots fill with water and allow complete start up during intermittent operation. IMPORTANT: Before starting the system verify correct blower motor rotation (plus any other motors within the treatment system).

Verify that the sump air pressure is 16-20" H₂O for 4-tray systems or 24-30" H₂O for 6-tray systems (it is normal to see lower sump pressures at the very start of operation before the seal pots and trays fill with water.) Sump pressures lower than these values may indicate either a blower throttle which is not sufficiently open or insufficiently-compressed tray seal gaskets. *If the system configuration includes additional backpressure (from vapor phase carbon, for example), the sump pressures will be greater than these values. it is important that the blower is sized to accommodate the added pressures, being careful that air stripper sump pressures never exceed 50" WC. Total sump pressures exceeding 50" WC will void QED Warranty!* Check the blower piping throttle valve and make sure the hold-down rods are tightened firmly, but not over tightened. The hold-down tensioning springs should be compressed to a length of 3-1/2 inches for proper gasket sealing.

Step by step startup includes:

1. Power the main control panel on.
2. Turn the blower on. For QED supplied control panels set the motor operation switch to AUTO.
3. Turn the stripper feed pump on (allow water to enter the stripper for gravity feed systems.) For QED supplied control panels set the motor operation switch to AUTO (some systems have a delay timer on the feed pump--check control panel documentation for details.)
4. Turn the discharge pump on. For QED supplied control panels set the motor operation switch to AUTO.
5. Open or close the blower air flow throttle and air dilution valve (if required) to produce a sump pressure reading of 16-20"H₂O for 4-tray systems or 24-30"H₂O for 6-tray systems (these are typical values, but these may differ depending whether any other pressures need to be accounted for. NOTE: It is normal to see

lower sump pressures at the very start of operation due to sealpots and trays filling with water.

Operation

Stripper operation is normally automatic. One option for QED supplied control panels is a blower time-out relay which continues to run the blower for several minutes after the feed pump stops. Continued blower operation insures that any residual water left on the stripper trays has sufficient time to strip before the blower shuts down. A time of at least 15 minutes is recommended. Strippers with start-stop cycles of more than 2-4 times per hour should be set to run continuously.

For sites with high dissolved iron content stripper cleaning may be required. Tray fouling is evidenced by increasing sump back pressure. Opening the blower air flow throttle will allow continued operation in some situations and will lengthen the time between tray cleanings. It is most important to maintain an air flow of 140cfm through the unit. If the stripper air flow decreases the stripping efficiency decreases. Below 100 cfm air flow the stripper will start begin to “weep” water through the tray holes from upper trays to lower trays before the water has had sufficient residence time for removal. If stripper performance falls off, check for tray fouling or a blower air flow throttle that is not opened sufficiently.

Maintenance

Tray fouling due to iron precipitation, solids loading, or bio-fouling is evidenced by increased sump pressures, decreased stripper performance (removal rates not being met) or noticeable discoloration on the trays. Stripper cleaning is required when trays are fouled.

Step by step cleaning includes:

1. Before working on any equipment lock-out power to the unit.
2. Disconnect the stripper discharge pipe from the stripper exhaust stack piping.
3. Unscrew the hold-down rod nuts (cranks) and remove the gasket hold-down ring.
4. Remove the stripper trays. Please note the tray seal pots will have some water remaining in them.
5. Using a pressure washer and medium bristle brush clean any residue from the trays surfaces, concentrating on the sieve holes. DO NOT USE SOAP or cleaning agents unless they will be thoroughly rinsed from the trays; soap residue can affect stripper performance.

6. For hard to remove scales and precipitates a dilute (5%-10%) muriatic acid and water solution can be used to rinse or soak the trays. Be certain to completely rinse the solution off the trays before reassembling the unit.
7. Reassemble the trays--note that they are numbered and that a mark is used to assist in proper alignment of the trays during reassembly. Check to make sure the gasket is still seated correctly and undamaged.
8. Reinstall the gasket hold-down ring and retension the hold-down rod nuts (cranks.) The hold-down tensioning springs should be compressed to a length of 3-1/2 inches for proper gasket sealing.
9. Reattach any pipe and exhaust stack connections.
10. Follow Start-Up instructions, above.

Other stripper maintenance items include:

1. Periodically check blower for vibration. Bearings may require eventual service or conditions of excessive motor start / stop cycles may lead to premature motor or blower failure.
2. Check gasket condition during disassembly for cleaning. The gasket is designed to allow numerous assembly and disassemblies before requiring replacement. Contact QED for information and pricing about gasket replacement kits.
3. The stripper demister element is essentially maintenance free, although dried inorganic residue can build up within the demister and affect demister operation. This condition is evidenced in water droplets not being removed by the demister and blowing out of the stripper exhaust stack--occasionally on start-up water is discharged from the stripper stack, which is normal. The demister may be cleaned with a dilute muriatic and water solution (5%-10%) as instructed for tray cleaning.
4. Solids may build up in the sump. These solids can be suctioned out during tray cleaning operations.
5. Periodically check the structural integrity of the stripper sump, trays and top. Check bulkhead nuts for snugness. Cracks or loose fittings will normally be evidenced by water leakage.

Troubleshooting

Some common problems include:

1. *Leaks.* Leaks around trays or at the sump indicate an insufficiently compressed tray gasket. Make sure the hold-down tensioning springs are compressed to a length of 3-1/2 inches for proper gasket sealing. Also check for damaged gaskets (over compressed gaskets, cut gaskets, loose gaskets, etc.) Damaged gaskets

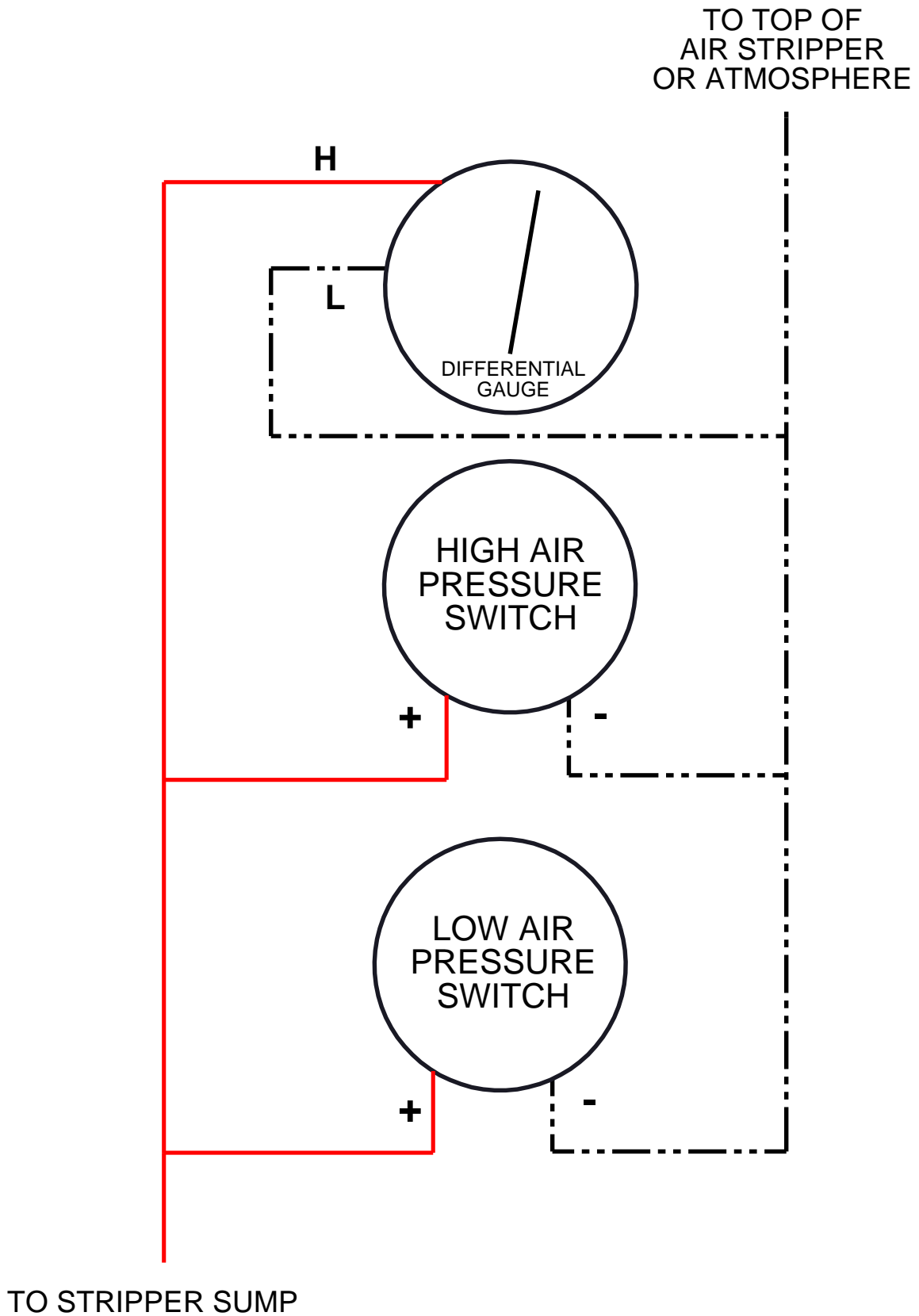
- should be replaced with new gaskets. Contact QED for information and pricing about gasket replacement kits. For leaks at fittings, check for fitting tightness.
2. *Stripper not meeting removal requirements.* Contaminated stripper air is the most common reason for poor stripping performance within the low-ppb concentration range--make sure that the stripper blower intake is drawing in clean, uncontaminated air. Check for sufficient air flow through the stripper. Check that trays are clean. Check that demister is not clogged or causing increased blower back pressure. Check any stripper air discharge treatment units for increased back pressure. Check that stripper influent flow or concentration has not increased beyond the design basis used to predict stripper performance. Make sure that the influent does not have surfactants (soaps, etc.), oils, grease, or other immiscible phases in the influent stream. Surfactants are evidenced by increased foaming through the stripper unit.
 3. *Sump pressure not at recommended levels.* Check sump pressure gauge tubing for accumulated water that could impair gauge performance. Check gaskets for damage and proper seating. Check for proper hold-down spring tensioning. Check blower piping connections for leakage. Check blower for proper rotation. Check design of gravity drain piping if piping is not QED-supplied. Check blower intake filter / silencer (if included) for clogging. Order new filter elements from QED.
 4. *Stripper cleaning frequency seems excessive.* At sites with high iron loading, consider iron sequestering agents or other technology which will reduce/prevent iron precipitation or allow for easier cleaning.

Please investigate all the above-mentioned items while troubleshooting. For additional problem solving assistance contact QED Service at:

Phone: 1-800-624-2026
FAX: 1-734-995-1170
24 Hour Service Hot Line: 1-800-272-9559

Please have the following information ready for the QED Service person:

1. Identify the product or system involved by QED order number.
2. Specify where, when, and from whom the product was purchased.
3. Describe the nature of the defect or malfunction.



AIR STRIPPER GAUGE AND PRESSURE SWITCH CONNECTION DIAGRAM (Optional)

QED TREATMENT EQUIPMENT WARRANTY

QED Environmental Systems Inc. (QED) warrants to the original purchaser of its products that, subject to the limitations and conditions provided below, the products, materials and/or workmanship shall reasonably conform to descriptions of the products and shall be free of defects in materials and workmanship. Any failure of the products to conform to this warranty will be remedied by QED in the manner provided herein.

QED warrants the equipment components of its manufacture for a period of one (1) year from date of delivery. Our sole obligation during this warranty will be to repair or replace (at our option) the defective components. We are not responsible for consequential damages. Labor costs are not included.

Purchaser's exclusive remedy for breach of said warranty shall be as follows: if, and only if, QED is notified in writing within the applicable warranty period of the existence of any such defects in the said products, and QED upon examination of any such defects, shall find the same to be within the term of and covered by the warranty running from QED to Purchaser, QED will, at its option, as soon as reasonably possible, replace or repair any such product, without charge to Purchaser. If QED for any reason, cannot repair a product covered hereby within four (4) weeks after receipt of the original Purchaser's notification of a warranty claim, then QED's sole responsibility shall be, at its option, either to replace the defective product with a comparable new unit at no charge to the Purchaser, or to refund the full purchase price. In no event shall such allegedly defective products be returned to QED without its consent, and QED's obligations of repair, replacement or refund are conditioned upon the Purchaser's return of the defective product to QED.

IN NO EVENT SHALL QED ENVIRONMENTAL SYSTEMS INC. BE LIABLE FOR CONSEQUENTIAL OR INCIDENTAL DAMAGES FOR BREACH OF SAID WARRANTY.

The foregoing warranty does not apply to major subassemblies and other equipment, accessories, and other parts manufactured by others, and such other parts, accessories, and equipment are subject only to the warranties supplied by their respective manufacturers. In the event of failure of any such product or accessory, QED will give assistance to Purchaser in obtaining from the respective manufacturer whatever adjustment is reasonable in light of the manufacturer's own warranty.

THE FOREGOING WARRANTY IS IN LIEU OF ALL OTHER WARRANTIES, EXPRESSED, IMPLIED OR STATUTORY (INCLUDING BUT NOT LIMITED TO THE WARRANTIES OF MERCHANTABILITY AND FITNESS FOR A PARTICULAR PURPOSE), WHICH OTHER WARRANTIES ARE EXPRESSLY EXCLUDED HEREBY, and of any other obligations or liabilities on the part of QED, and QED neither assumes nor authorizes any person to assume for it any other obligation or liability in connection with said products, materials and/or workmanship.

It is understood and agreed that QED shall in no event be liable for incidental or consequential damages resulting from its breach of any of the terms of this agreement, nor for special damages, nor for improper selection of any product described or referred to for a particular application.

This warranty will be void in the event of unauthorized disassembly of component assemblies. Defects in any equipment that result from abuse, operation in any manner outside the recommended procedures, use and applications other than for intended use, or exposure to chemical or physical environment beyond the designated limits of materials and construction will also void this warranty.

The equipment is warranted to perform as specified under the conditions specified here and within the air stripper model or QED will make the necessary changes at no cost to the owner. Some restrictions apply. Requirements for warranty consideration include, (but are not limited to):

1. Current operating conditions do not differ from the previously-modeled conditions.
2. The system should be cleaned regularly to maintain system performance.

3. The equipment is installed, operated and maintained according to QED's instruction or non-QED manufactured subassembly manufacturer's instructions.
4. Air stripper influent air is not "dirty" (does not contain VOC's, etc.).
5. No surfactants, oils, greases, or other immiscible phases are present in the water.
6. Each influent contaminant does not exceed 25% of its maximum solubility under modeled conditions.

QED shall be released from all obligations under all warranties if any product covered hereby is repaired or modified by persons other than QED's service personnel unless such repair by others is made with the consent of QED. If any product covered hereby is actually defective within the terms of this warranty, Purchaser must contact QED for determination of warranty coverage. If the return of a component is determined to be necessary, QED will authorize the return of the component, at owner's expense. If the product proves not to be defective within the terms of this warranty, then all costs and expenses in connection with the processing of the Purchaser's claim and all costs for repair, parts and labor as authorized by owner hereunder shall be borne by the Purchaser.

In the event of air stripper performance issues, QED may require customer to conduct a variety of troubleshooting steps. These include, but are not limited to, modifying operational parameters, cleaning air stripper system, modifying (temporarily or permanently) process piping, and obtaining reasonable and necessary influent/effluent samples. These steps are the responsibility of the customer and will be conducted by customer prior to consideration by QED for a site visit. These steps and the associated costs incurred are the responsibility of the customer, regardless of future action. Should customer request a site visit by QED or accept a site visit offer by a QED-trained technician, the visit and associated costs: a) will be the responsibility of the customer at \$500/day, plus travel, lodging, and meals, if the visit finds improper sampling, process piping installation, or equipment operation inconsistent with QED's Operation and Maintenance Manual; or b) will be the responsibility of QED if the visit finds QED responsible for the performance issue(s) raised.

The original Purchaser's sole responsibility in the instance of a warranty claim shall be to notify QED of the defect, malfunction, or other manner in which the terms of this warranty are believed to be violated. You may secure performance of obligations hereunder by contacting the Customer Service Department of QED and:

1. Identify the product or system involved by QED order number.
2. Specify where, when, and from whom the product was purchased.
3. Describe the nature of the defect or malfunction covered by this warranty.
4. If applicable, send the malfunctioning component, *after receiving a Return Authorization Code (RAC) Number by the QED Service Department, to:*

**QED Environmental Systems Inc.
2355 Bishop Circle West
Dexter, MI 48130**

Attn: R.A.C. No. (Return Authorization Code Number provided by QED Service Dept.)

Figure 1. Typical Configuration of EZ-Stacker 4 Series (Actual configuration will vary)

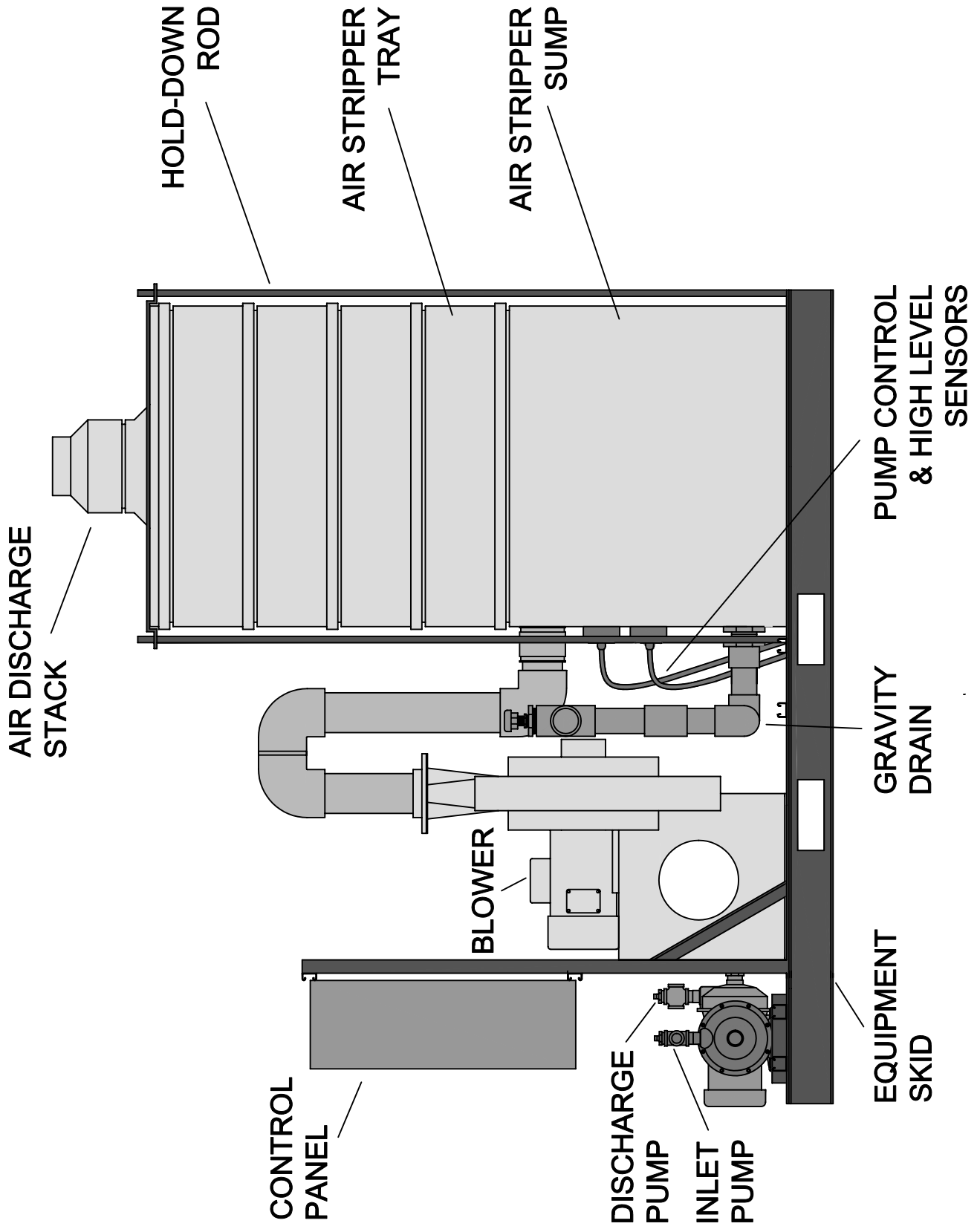
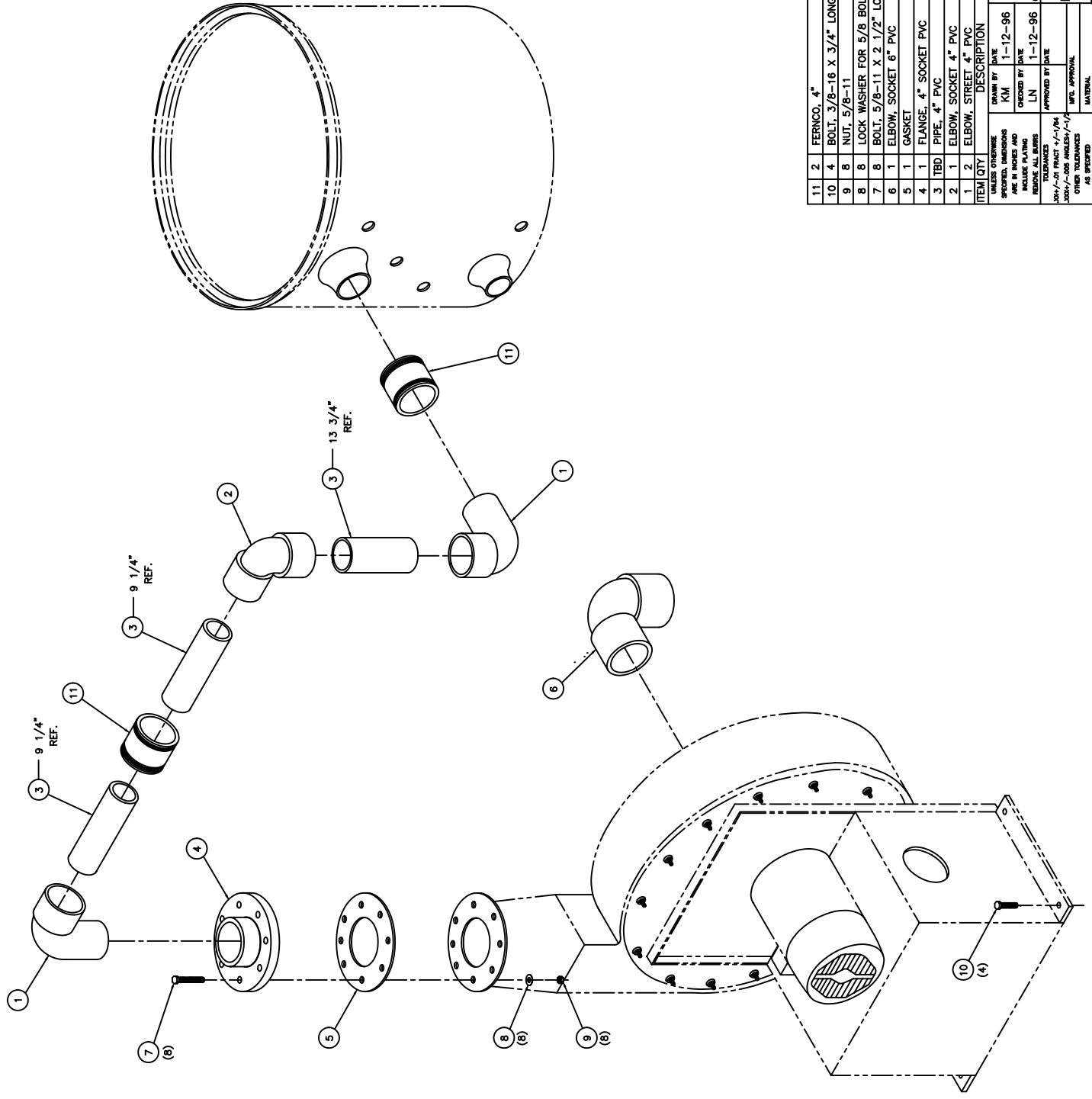


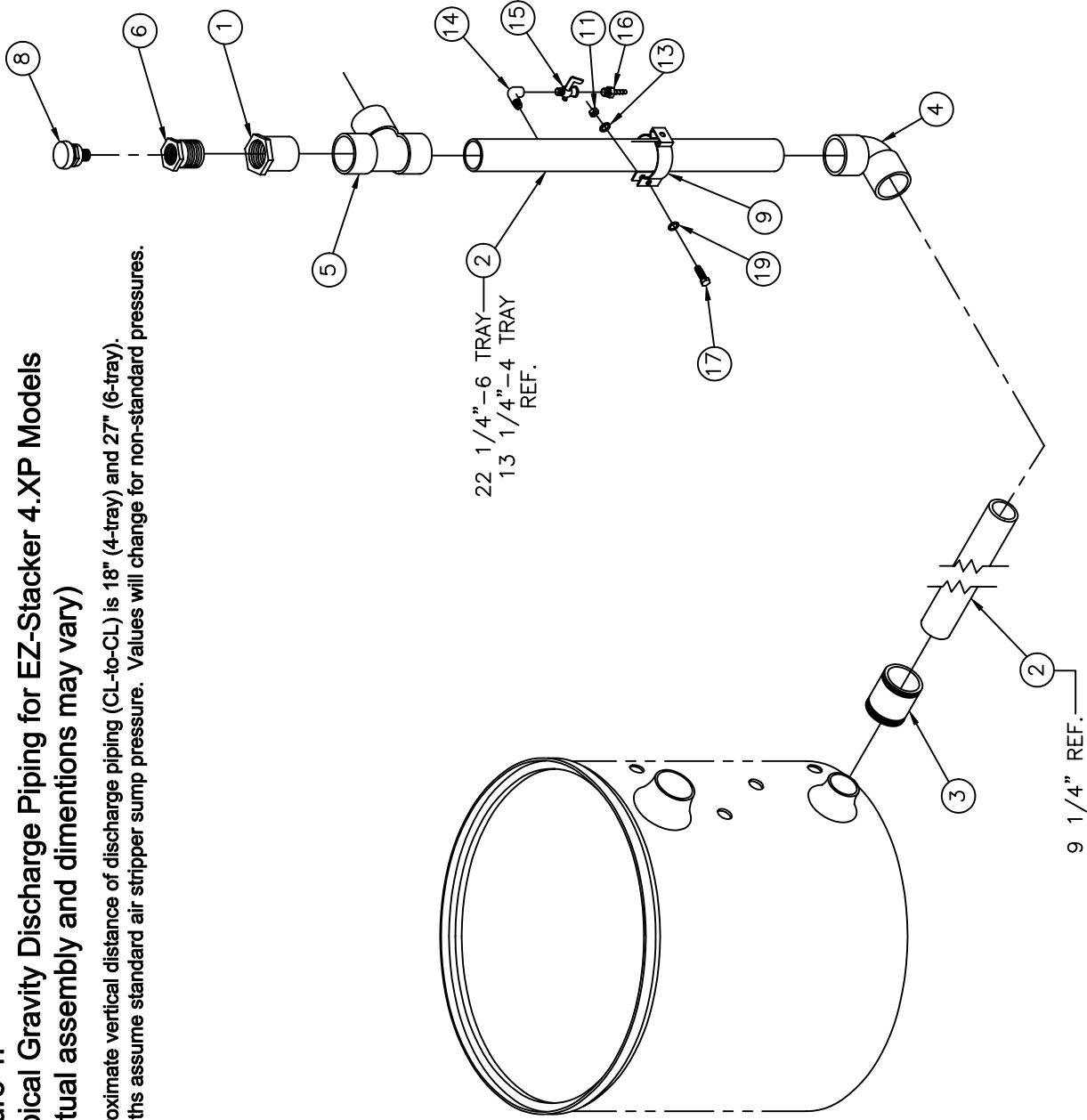
Figure 2. Typical Blower Kit for EZ-4.X Stacker
 (Actual assembly and dimensions may vary)



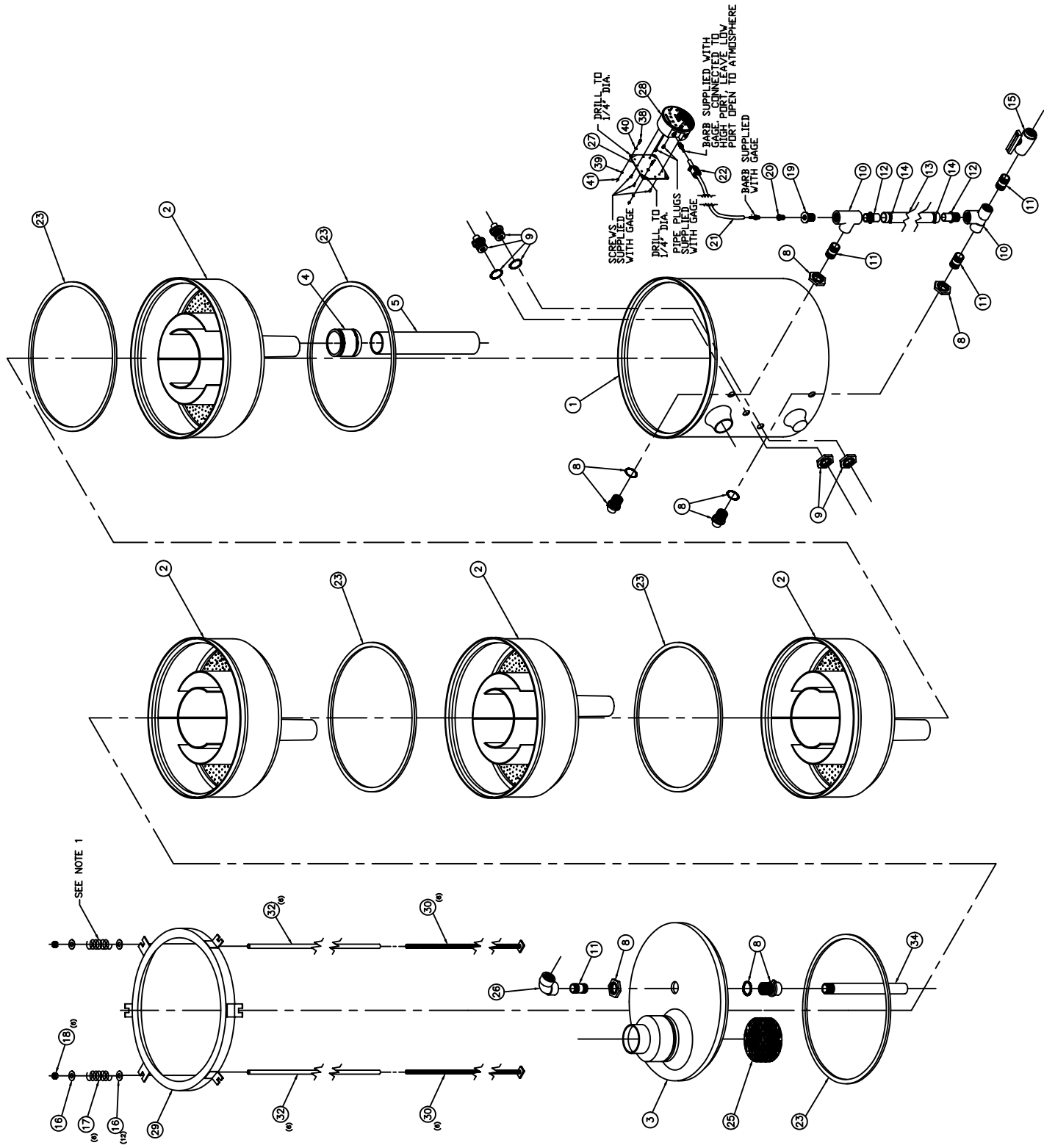
11	2	FERRICO, 4"	802165
10	4	BOLT, 3/8-16 X 3/4" LONG	EXPENSED
9	8	NUT, 5/8-11	EXPENSED
8	8	LOCK WASHER FOR 5/8 BOLT	EXPENSED
7	8	BOLT, 5/8-11 X 2 1/2" LONG	EXPENSED
6	1	ELBOW, SOCKET 6" PVC	802113
5	1	GASKET	805032
4	1	FLANGE, 4" SOCKET PVC	802202
3	TBD	PIPE, 4" PVC	802251
2	1	ELBOW, SOCKET 4" PVC	802114
1	2	ELBOW, STREET 4" PVC	802120
ITEM	QTY	DESCRIPTION	PART #
UNLESS OTHERWISE SPECIFIED, DIMENSIONS ARE IN INCHES AND FRACTIONS SHALL BE IN DECIMALS. REMOVE ALL BURRS. TOLERANCES: DIM./-01 FRACT +/-1/16 1000/-1000 INCHES +/-1/16 AS SPECIFIED. EZ-STACKER (+ SERIES) FINISH: NEXT LUSTY USED ON: _____			
DRAWN BY		DATE	Q.F.D.
CHECKED BY		DATE	ENVIRONMENTAL SYSTEMS INC.
APPROVED BY		DATE	6155 JACKSON ROAD, ANN ARBOR, MI
MATERIAL			TITLE
FINISH			BLOWER KIT W/O BLOWER
SCALE N.T.S.			ASSEMBLY/BOM/KIT
SHEET 1			DRAWING NUMBER BLKIT4
OF 2			

Figure 4.
Typical Gravity Discharge Piping for EZ-Stacker 4.XP Models
(Actual assembly and dimentions may vary)

Approximate vertical distance of discharge piping (CL-to-CL) is 18" (4-tray) and 27" (6-tray).
 Lengths assume standard air stripper sump pressure. Values will change for non-standard pressures.



ITEM	QTY	DESCRIPTION	PART #
20	1	FLAT WASHER FOR 5/16" BOLT	EXPENSED
18			
17	1	5/16-18 UNC HEX BOLT 1 1/2" LG.	EXPENSED
16	1	BARB 1/8"MPT X 3/16" BARB	803094
15	1	COCK, SHUTOFF 1/8"MPT X 1/8"FPT BRASS	803095
14	1	ELBOW, STREET 1/8" FPT BRASS	34149
13	1	LOCK WASHER FOR 5/16/BOLT	EXPENSED
12			
11	1	5/16-18 UNC NUT	EXPENSED
10			
9	1	HANGER 3" PIPE	805196
8	1	BREAKER, VACUUM 1/2" MPT	805026
7			
6	1	BUSHING, PVC 1 1/2" X 1/2"	802065
5	1	TEE, PVC 3" SOCKET	802215
4	1	ELBOW, 90 DEGREE PVC 3" SCH 80	802217
3	1	FERNCO 3" COUPLER	802166
2	TBD	PIPE 3" PVC SCH 80	802221
1	1	BUSHING, PVC 3" SOC X THD.	802239
ITEM QTY DESCRIPTION PART #			
UNLESS OTHERWISE SPECIFIED, DIMENSIONS ARE IN INCHES AND INCLUDE PLATING REMOVE ALL BURRS			
TOLERANCES			
.XX+/-01 FRACT +/-1/64			
.XXX+/-005 ANGLES +/-1/2			
OTHER TOLERANCES AS SPECIFIED			
EZ-STACKER (4 SERIES)			
NEXT ASSY	USED ON	FINISH	
DRAWN BY KM		DATE 1-12-96	 ENVIRONMENTAL SYSTEMS INC. 6155 JACKSON ROAD, ANN ARBOR, MI.
CHECKED BY LN		DATE 1-12-96	
APPROVED BY DATE			
MFG. APPROVAL MATERIAL			
TITLE			GRAVITY DRAIN ASSEMBLY/BOM/KIT
DRAWING NUMBER			GDKIT3S
SCALE			N.T.S.
SHEET			1 OF 1
REV A			



ITEM QTY	DESCRIPTION	PART #
4.1	NUT 1/4"	EXPENSED
4.0	WASHER, FLAT 1/4"	EXPENSED
3.9	WASHER, LOCK 1/4"	EXPENSED
3.8	BOLT 1/4" HEX HD.	EXPENSED
3.7		
3.6		
3.5		
3.4	PIPE 1" PVC 12.50 LG (THD. ONE END)	802162
3.3		
3.2	TUBING, NYLON 1/2" OD X 3/8" ID 66" LG	35097
3.1		
3.0	TIE ROD ASSEMBLY	804042
2.9	RING, TOP HOLD DOWN 37.88 OD	804060
2.8	MAGNEHELIC DIFFERENTIAL PRESSURE GAGE INCLUDES THE FOLLOWING: SCREWS, 6-32 RD. HD. (2) PIPE PLUG 1/8" (2) BARBS, 1/8" MPT X 3/16 BARB (2)	EZPGAUGE
2.7	BRACKET, MOUNTING	805179
2.6	ELBOW 90 DEGREES PVC 1" MPT SCH 80	802037
2.5	DEMIETER 3 PADS OF 37/97 3.60 HIGH X 10" DIA.	804053
2.4		
2.3	GASKET, ROUND	804059
2.2	PINCH VALVE	36559
2.1	TBD TUBING, CLEAR 5/16" O.D. X 3/16" I.D.	802248
2.0	REDUCER, BUSHING 1/4" X 1/8" BRASS	34103
1.9	REDUCER, BUSHING 1" X 1/4" BRASS	803054
1.8	NUT, 3/8-16 ZINC PLATED STEEL	805180
1.7	SPRING, NICKEL PLATED	805214
1.6	WASHER, FLAT 3/8 ZINC PLATED STEEL	805181
1.5	WASHER, BALL PVC 1" FPT X 1" FPT	802196
1.4	CLAMPS, HOSE 13/16 X 1 1/2"	805055
1.3	TUBING, CLEAR PVC 1" I.D. 3/16" WALL	802236
1.2	BARB, NYLON 1" MPT X 1" BARB	805020
1.1	NIPPLE, CLOSE PVC 1" SCH 80	802103
1.0	TEE, PVC 1" FPT SCH 80	802028
9	BULKHEAD FITTING (RAVEN) 1/2" FPT	802169
8	BULKHEAD FITTING (RAVEN) 1" FPT	802171
7		
6		
5	PIPE, PVC 3" 17.50 LG REF.	802156
4	FERRO 3" COUPLER	802166
3	TRAY, TOP	804049
2	TRAYS, WITH SECONDARY PARTS	804050
1	SUMP	804051

UNLESS OTHERWISE SPECIFIED, DIMENSIONS ARE IN INCHES AND INCLUDE PLATING REMOVE ALL BURRS TOUGHENES TO 1/4" DIA. JOINTS ON WELDES 1/4" OTHER TOLERANCES AS SPECIFIED

4-4 EZ STACKER USED ON NEXT ASY

FINISH

SCALE N.T.S. SHEET 1 OF 1

Q.E.D. ENVIRONMENTAL SYSTEMS INC. 6155 JACKSON ROAD, ANN ARBOR, MI.

TITLE: EZ-4.4 P ASSEMBLY/BOM/KIT

DRAWING NUMBER: EZ-4.4P

REV #

nybThe
**New York Blower
Company®**7660 QUINCY STREET—WILLOWBROOK, ILLINOIS 60527-5530
TEL: (630) 794-5700 • FAX: (630) 794-5776 • WEB: <http://www.nyb.com> • E-MAIL: nyb@nyb.comINSTALLATION,
MAINTENANCE,
OPERATING
INSTRUCTIONS**IM-140****PRESSURE BLOWERS
TYPE HP PRESSURE BLOWERS****SOUND**

Some fans can generate sound that could be hazardous to exposed personnel. It is the responsibility of the system designer and user to determine sound levels of the system, the degree of personnel exposure, and to comply with applicable safety requirements to protect personnel from excessive noise. Consult **nyb** for fan sound power level ratings.

AIR PRESSURE AND SUCTION

In addition to the normal dangers of rotating machinery, fans present another hazard from the suction created at the fan inlet. This suction can draw materials into the fan where they become high velocity projectiles at the outlet. It can also be extremely dangerous to persons in close proximity to the inlet, as the forces involved can overcome the strength of most individuals. Inlets and outlets that are not ducted should be screened to prevent entry and discharge of solid objects.

! WARNING

THIS FAN HAS MOVING PARTS THAT CAN CAUSE SERIOUS BODILY INJURY. BEFORE OPERATING OR STARTING MAINTENANCE READ THE INSTALLATION AND MAINTENANCE INSTRUCTIONS AND THE AMCA SAFETY PRACTICES MANUAL PROVIDED WITH THIS FAN.

DURING OPERATION

1. KEEP BODY, HANDS, AND FOREIGN OBJECTS AWAY FROM THE INLET, THE OUTLET, AND THE OTHER MOVING PARTS OF THE FAN SUCH AS SHAFTS, BELTS, AND PULLEYS.

2. DO NOT OPERATE AT EXCESSIVE SPEEDS OR TEMPERATURES.

BEFORE STARTING MAINTENANCE WORK:

LOCK POWER SUPPLY IN OFF POSITION AND IMMOBILIZE FAN WHEEL.

98-0250

A WORD ABOUT SAFETY

The above **WARNING** decal appears on all **nyb** fans. Air moving equipment involves electrical wiring, moving parts, sound, and air velocity or pressure which can create safety hazards if the equipment is not properly installed, operated and maintained. To minimize this danger, follow these instructions as well as the additional instructions and warnings on the equipment itself.

All installers, operators and maintenance personnel should study AMCA Publication 410, "Recommended Safety Practices for Air Moving Devices", which is included as part of every shipment. Additional copies can be obtained by writing to New York Blower Company, 7660 Quincy St., Willowbrook, IL 60527.

ELECTRICAL DISCONNECTS

Every motor driven fan should have an independent disconnect switch to isolate the unit from the electrical supply. It should be near the fan and must be capable of being locked by maintenance personnel while servicing the unit, in accordance with OSHA procedures.

MOVING PARTS

All moving parts must have guards to protect personnel. Safety requirements vary, so the number and type of guards needed to meet company, local and OSHA standards must be determined and specified by the user. Never start a fan without having all safety guards installed. Check regularly for damaged or missing guards and do not operate any fan with guards removed. Fans can also become dangerous because of potential "wind-milling", even though all electrical power is disconnected. Always block the rotating assembly before working on any moving parts.

! DANGER

DO NOT OPEN UNTIL THE POWER SUPPLY HAS BEEN LOCKED OFF AND THE SHAFT HAS STOPPED ROTATING. FAILURE TO DO THIS CAN RESULT IN SERIOUS BODILY INJURY.

98-0249

ACCESS DOORS

The above **DANGER** decal is placed on all **nyb** cleanout doors. These doors, as well as access doors to the duct system, should never be opened while the fan is in operation. Serious injury could result from the effects of air pressure or suction.

Bolted doors must have the door nuts or fasteners securely tightened to prevent accidental or unauthorized opening.

RECEIVING AND INSPECTION

The fan and accessories should be inspected on receipt for any shipping damage. Turn the wheel by hand to see that it rotates freely and does not bind. If dampers or shutters are provided, check these accessories for free operation of all moving parts.

F.O.B. factory shipping terms require that the receiver be responsible for inspecting the equipment upon arrival. Note damage or shortages on the Bill of Lading and file any claims for damage or loss in transit. **nyb** will assist the customer as much as possible; however, claims must be originated at the point of delivery.

HANDLING AND STORAGE

Fans should be lifted by the base, mounting supports, or lifting eyes only. Never lift a fan by the wheel, shaft, motor, motor bracket, housing inlet, outlet, or any fan part not designed for lifting. A spreader should always be used to avoid damage.

On a direct drive Arrangement 8 fan, lifting holes are provided in the motor base to assist in handling the fan assembly. These lifting holes should be used in conjunction with the lifting eyes when lifting and positioning the fan onto its foundation. A heavy round steel bar or appropriate fixture can be passed through the lifting holes to simplify attachment of the lifting device. Be sure to follow all local safety codes when moving heavy equipment.

Whenever possible, fans and accessories should be stored in a clean, dry location to prevent rust and corrosion of steel components. If outdoor storage is necessary, protection should be provided. Cover the inlet and outlet to prevent the accumulation of dirt and moisture in the housing. Cover motors with waterproof material. Refer to the bearing section for further storage instructions.

Check shutters for free operation and lubricate moving parts prior to storage. Inspect the stored unit periodically. **Rotate the wheel by hand every two weeks to redistribute grease on internal bearing parts.**

FAN INSTALLATION

nyb wheels are dynamically balanced when fabricated. Complete assembled fans are test run at operating speeds to check the entire assembly for conformance to **nyb** vibration limits. Nevertheless, all units must be adequately supported for smooth operation. **Ductwork or stacks should be independently supported as excess weight may distort the fan housing and cause contact between moving parts.** Where vibration isolators are used, consult the **nyb** certified drawing for proper location and adjustment.

Slab-Mounted Units

A correctly designed and level concrete foundation provides the best means of installing floor-mounted fans. The mass of the base must maintain the fan/driver alignment, absorb normal vibration, and resist lateral loads. The overall dimensions of the concrete base should extend at least six inches beyond the base of the fan. The weight of the slab should be two to three times the weight of the rotating assembly, including the motor. The foundation requires firmly anchored fasteners such as the anchor bolts shown in Figure 1.

Move the fan to the mounting location and lower it over the anchor bolts, leveling the fan with shims around the bolts. Fasten the fan securely. When grout is used, shim the fan at least 3/4-inch from the concrete base. (See Figure 1.) When isolation is used, check the **nyb** certified drawing for installation instructions.

Elevated Units

When an elevated or suspended structural steel platform is used, it must have sufficient bracing to support the unit load and prevent side sway. The platform should be of welded construction to maintain permanent alignment of all members.

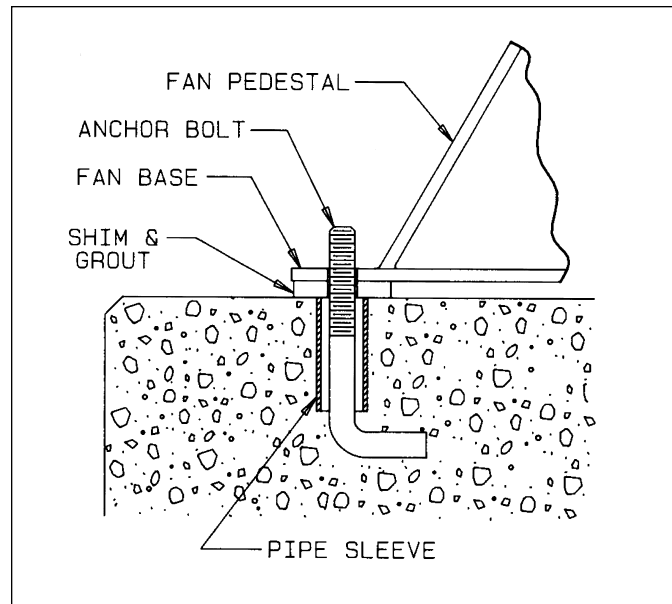


Figure 1

V-BELT DRIVE

Installation

1. Remove all foreign material from the fan and motor shafts. Coat shafts with machine oil for easier mounting. Mount the belt guard backplate at this time if partial installation is required prior to sheave mounting.
2. Mount sheaves on shafts after checking sheave bores and bushings for nicks or burrs. Avoid using force. If resistance is encountered, lightly polish the shaft with emery cloth until the sheave slides on freely. Tighten tapered bushing bolts sequentially so that equal torque is applied to each.
3. Adjust the motor on its base to a position closest to the fan shaft. Install belts by working each one over the sheave grooves until all are in position. Never pry the belts into place. On **nyb** packaged fans, sufficient motor adjustment is provided for easy installation of the proper size belts.
4. Adjust sheaves and the motor shaft angle so that the sheave faces are in the same plane. Check this by placing a straightedge across the face of the sheaves. Any gap between the edge and sheave faces indicates misalignment. Important: This method is only valid when the width of the surface between the belt edge and the sheave face is the same for both sheaves. When they are not equal, or when using adjustable-pitch sheaves, adjust so that all belts have approximately equal tension. Both shafts should be at the right angles to the center belt.

Belt Tensioning

1. Check belt tension with a tensioning gage and adjust using the motor slide base. Excess tension shortens bearing life while insufficient tension shortens belt life, can reduce fan performance and may cause vibration. The lowest allowable tension is that which prevents slippage under full load. Belts may slip during start-up, but slipping should stop as soon as the fan reaches full speed. For more precise tensioning methods, consult the drive manufacturer's literature.
2. Recheck setscrews, rotate the drive by hand and check for rubbing, then complete the installation of the belt guard.

- Belts tend to stretch somewhat after installation. Recheck tension after several days of operation. Check sheave alignment as well as setscrew and/or bushing bolt tightness.

COUPLING

Coupling alignment should be checked after installation and prior to start up. Alignment is set at the factory, but shipping, handling, and installation can cause misalignment. Also check for proper coupling lubrication. For details on lubrication and for alignment tolerances on the particular coupling supplied, see the manufacturer's installation and maintenance supplement in the shipping envelope.

Installation

Most **nyb** fans are shipped with the coupling installed. In cases where the drive is assembled after shipping, install the coupling as follows:

- Remove all foreign material from fan and motor shafts and coat with machine oil for easy mounting of coupling halves.
- Mount the coupling halves on each shaft, setting the gap between the faces specified by the manufacturer. Avoid using force. If mounting difficulty is encountered, lightly polish the shaft with emery cloth until the halves slide on freely.

Alignment

- Align the coupling to within the manufacturer's limits for parallel and angular misalignment (see Figure 2). A dial indicator or laser can also be used for alignment where greater precision is desired. Adjustments should be made by moving the motor to change shaft angle, and by the use of foot shims to change motor shaft height. Do not move the fan shaft or bearing.
- When correctly aligned, install the flexible element and tighten all fasteners in the coupling and motor base. Lubricate the coupling if necessary.
- Recheck alignment and gap after a short period of operation, and recheck the tightness of all fasteners in the coupling assembly.

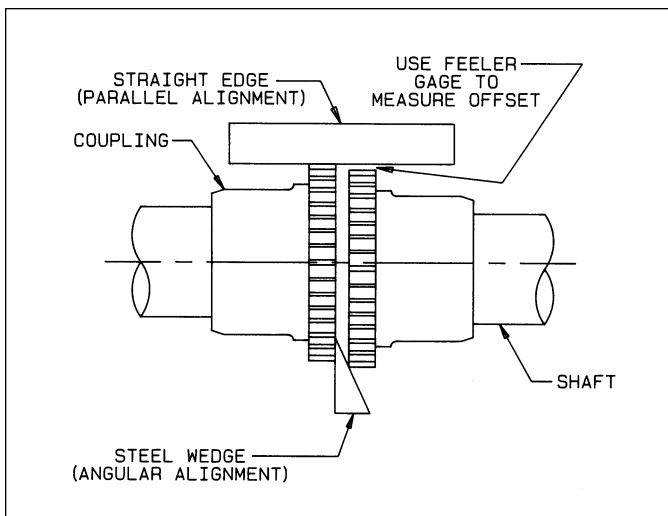


Figure 2

START-UP

Safe operation and maintenance includes the selection and use of appropriate safety accessories for the specific installation. This is the responsibility of the system designer and requires consideration of equipment location and accessibility as well as adjacent components. All safety accessories must be installed properly prior to start-up.

Safe operating speed is a function of system temperature and wheel design. Do not under any circumstances exceed the maximum safe fan speed published in the **nyb** engineering supplement, which is available from your **nyb** field sales representative.

⚠ CAUTION

BEFORE INITIAL OPERATION:

1. **TIGHTEN ALL SET SCREWS IN FAN WHEEL.**
2. **TIGHTEN ALL SET SCREWS IN BEARINGS.**
3. **REPEAT AFTER 8 HOURS OF OPERATION.**
4. **REPEAT AGAIN AFTER TWO WEEKS OPERATION.**

98-0271

Procedure

- If the drive components are not supplied by **nyb**, verify with the manufacturer that the starting torque is adequate for the speed and inertia of the fan.
- Inspect the installation prior to starting the fan. Check for any loose items or debris that could be drawn into the fan or dislodged by the fan discharge. Check the interior of the fan as well. Turn the wheel by hand to check for binding.
- Check drive installation and belt tension.
- Check the tightness of all setscrews, nuts and bolts. When furnished, tighten hub setscrews with the wheel oriented so that the setscrew is positioned underneath the shaft.
- Install all remaining safety devices and guards. Verify that the supply voltage is correct and wire the motor. "Bump" the starter to check for proper wheel rotation.
- Use extreme caution when testing the fan with ducting disconnected. Apply power and check for unusual sounds or excessive vibration. If either exists, see the section on Common Fan Problems. To avoid motor overload, do not run the fan for more than a few seconds if ductwork is not fully installed. On larger fans, normal operating speed may not be obtained without motor overload unless ductwork is attached. Check for correct fan speed and complete installation. Ductwork and guards must be fully installed for safety.
- Setscrews should be rechecked after a few minutes, eight hours and two weeks of operation (see Tables 1 & 2 for correct tightening torques).

NOTE: Shut the fan down immediately if there is any sudden increase in fan vibration.

Table 1 - WHEEL SETSCREW TORQUES

Setscrew Size Diameter (in.)	Carbon Steel Setscrew Torque*	
	lb.-in.	lb.-ft.
1/2	600	50
5/8	--	97
3/4	--	168

* Stainless Steel setscrews are not hardened and should not be tightened to more than 1/2 the values shown.

Table 2 - BEARING SETSCREW TORQUE, lb.-in.

Setscrew Diameter	Manufacturer				
	Link-Belt	Sealmaster	SKF	McGill	Dodge
1/4	90	65	50	85	--
5/16	185	125	165	165	160

Note: Split pillow block bearings are fixed to the shaft with tapered sleeves and generally do not have setscrews.

FAN MAINTENANCE

nyb fans are manufactured to high standards with quality materials and components. Proper maintenance will ensure a long and trouble-free service life.

Do not attempt any maintenance on a fan unless the electrical supply has been completely disconnected and locked. In many cases, a fan can windmill despite removal of all electrical power. The rotating assembly should be blocked securely before attempting maintenance of any kind.

The key to good fan maintenance is regular and systematic inspection of all fan parts. Inspection frequency is determined by the severity of the application and local conditions. Strict adherence to an inspection schedule is essential.

Regular fan maintenance should include the following:

1. Check the fan wheel for any wear or corrosion, as either can cause catastrophic failures. Check also for the build-up of material which can cause unbalance resulting in vibration, bearing wear and serious safety hazards. Clean or replace the wheel as required.
2. Check the V-belt drive for proper alignment and tension (see section on V-belt drives). If belts are worn, replace them as a set, matched to within manufacturer's tolerances. Lubricate the coupling of direct-drive units and check for alignment (see section on couplings).
3. Lubricate the bearings, but do not over lubricate (see the bearing section for detailed specifications).
4. Ceramic-felt shaft seals require no maintenance, although worn seals should be replaced. When lip-type shaft seals are provided, lubricate them with "NEVER-SEEZ" or other anti-seize compound.
5. During any routine maintenance, all setscrews and bolts should be checked for tightness. See the table for correct torques.
6. When installing a new wheel, the proper wheel-to-inlet clearance must be maintained (see Figure 3).

WHEEL BALANCE

Airstreams containing particulate or chemicals can cause abrasion or corrosion of the fan parts. This wear is often uneven and can lead to significant wheel unbalance over time. When such wear is discovered, a decision must be made as to whether to rebalance or replace the wheel.

The soundness of all parts should be determined if the original thickness of components is reduced. Be sure there is no hidden structural damage. The airstream components should also be cleaned to remove any build-up of foreign material. Specialized equipment can be used to rebalance a cleaned wheel that is considered structurally sound.

Balance weights should be rigidly attached at a point that will not interfere with the housing nor disrupt airflow. Remember that centrifugal forces can be extremely high at the outer radius of a fan wheel. Welding is the preferred method of balance weight attachment. Be sure to ground the welder directly to the fan wheel. Otherwise, the welding current could pass through the fan bearings and damage them.

WHEEL-INLET CLEARANCE

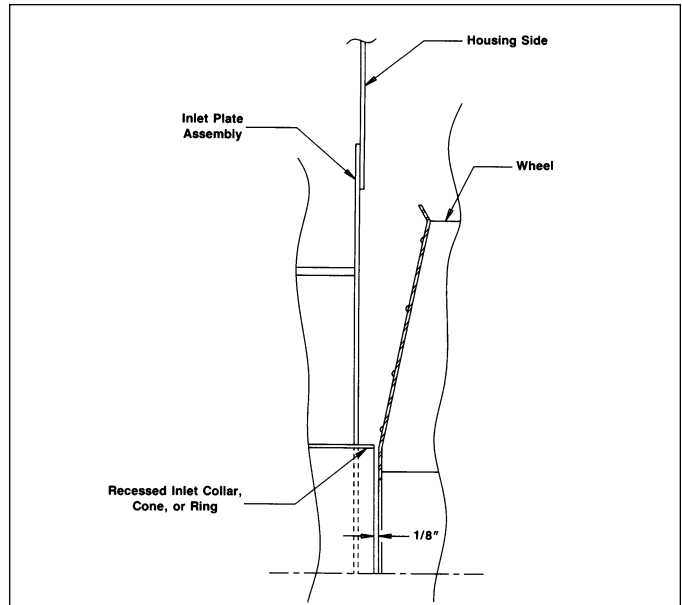


Figure 3

BEARINGS

Storage

Any stored bearing can be damaged by condensation caused by temperature variations. Therefore, **nyb** fan bearings are filled with grease at the factory to exclude air and moisture. Such protection is adequate for shipment and subsequent immediate installation.

For long term or outdoor storage, mounted bearings should be regreased and wrapped with plastic for protection. **Rotate the fan wheel by hand at least every two weeks to redistribute grease on internal bearing parts.** Each month the bearings should be purged with new grease to remove condensation, since even a filled bearing can accumulate moisture. Use caution when purging, as excessive pressure can damage the seals. Rotate the shaft while slowly adding grease.

Operation

Check the setscrew torque before start-up (see table for correct values). Since bearings are completely filled with grease at the factory, they may run at an elevated temperature during initial operation. Surface temperatures may reach 180°F. and grease may bleed from the bearing seals. This is normal and no attempt should be made to replace lost grease. Bearing surface temperatures will decrease when the internal grease quantity reaches a normal operating level. Relubrication should follow the recommended schedule.

Lubrication

Use the table for relubrication scheduling according to operating speed and shaft diameter. Bearings should be lubricated with a premium quality lithium-based grease conforming to NLGI Grade 2. Examples are:

Mobil - Mobilith AW2 Chevron - Amolith #2
 Texaco - Premium RB Shell - Alvania #2

These greases are for bearing surface temperatures of 40°F. to 180°F. For surface temperatures of 181°F. to 230°F. use Mobilith SHC220.

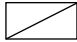
Do not use "high temperature" greases, as many are not formulated to be compatible with fan bearings.

Add grease to the bearing while running the fan or rotating the shaft by hand. Be sure all guards are in place if lubrication is performed while the fan is operating. Add just enough grease to cause a slight purging at the seals. Except on split pillowblocks. Completely filled bearings will run hotter until a sufficient amount of grease is purged out of the seals.

Split pillowblock bearings (Link-Belt P-LB6800 & P-LB6900, SKF SAF 22500, Dodge SAF-XT) should be cleaned and repacked at approximately every eighth lubrication interval. This requires removal of the bearing cap. Clean out old grease and repack the bearing with fresh grease. Pack the bearing fully and fill the housing reservoir to the bottom of the shaft on both sides of the bearing. Replace the bearing cap, being careful not to mix caps as they are not interchangeable from one bearing to another. **Do not over lubricate.**

BEARING LUBRICATION INTERVAL [months]

RPM Shaft	1 - 500	501- 1000	1001- 1500	1501- 2000	2001- 2500	2501- 3000	3001- 3500	3501- 4000
1 7/16	6	6	5-6	4-6	4-6	3-5	2-4	2-4
	6	4	4	2	2	1	1	1
1 11/16	6	6	4-6	4-6	2-4	2-4	2	1-2
	6	4	2	1	1	1	1-2	1-2
2 3/16			6	4-6	4	2-4	2	--
2 7/16			6	4-6	4	2-4	2	--
2 15/16			4-6	4-6	2-4	2	1-2	--

Ball Bearings & Split Split Pillowblock →  ← Non-Split Pillowblock Spherical Roller Bearings

NOTE:

- These are general recommendations only; specific manufacturer's recommendations may vary slightly.
- Assumes clean environment, -20°F. to 120°F.
 - Consult The New York Blower Company for operation below -20°F. ambient.
 - Ambient temperatures greater than 120°F. will shorten bearing life.
 - Under extremely dirty conditions, lubricate more frequently.
- Assumes horizontal mounting configuration. For vertically mounted applications, lubricate twice as frequently.

COMMON FAN PROBLEMS

Excessive Vibration

A common complaint regarding industrial fans is "excessive vibration". **nyb** is careful to ensure that each unit is precisely balanced prior to shipment; however, there are many other causes of vibration including:

- Loose mounting bolts, setscrews, bearings or couplings.
- Misalignment or excessive wear of couplings or bearings.
- Misaligned or unbalanced motor.
- Bent shaft due to mishandling or material impact.
- Accumulation of foreign material on the wheel.
- Excessive wear or erosion of the wheel.
- Excessive system pressure or restriction of airflow due to closed dampers.
- Inadequate structural support, mounting procedures or materials.
- Externally transmitted vibration.

Inadequate Performance

- Incorrect testing procedures or calculations.
- Fan running too slowly.
- Fan wheel rotating in wrong direction or installed backwards on shaft.
- Wheel not properly centered relative to inlet cone.
- Damaged or incorrectly installed cut off sheet or diverter.
- Poor system design, closed dampers, air leaks, clogged filters, or coils.
- Obstructions or sharp elbows near inlets.
- Sharp deflection of airstream at fan outlet.

Excessive Noise

- Fan operating near "stall" due to incorrect system design or installation.
- Vibration originating elsewhere in the system.
- System resonance or pulsation.
- Improper location or orientation of fan intake and discharge.
- Inadequate or faulty design of supporting structures.
- Nearby sound reflecting surfaces.
- Loose accessories or components.
- Loose drive belts.
- Worn bearings.

Premature Component Failure

- Prolonged or major vibration.
- Inadequate or improper maintenance.
- Abrasive or corrosive elements in the airstream or surrounding environment.
- Misalignment or physical damage to rotating components or bearings.
- Bearing failure from incorrect or contaminated lubricant or grounding through the bearings while arc welding.
- Excessive fan speed.
- Extreme ambient or airstream temperatures.
- Improper belt tension.
- Improper tightening of wheel setscrews.

REPLACEMENT PARTS

It is recommended that only factory-supplied replacement parts be used. **nyb** fan parts are built to be fully compatible with the original fan, using specific alloys and tolerances. These parts carry a standard **nyb** warranty.

When ordering replacement parts, specify the part name, **nyb** shop and control number, fan size, type, rotation (viewed from drive end), arrangement and bearing size or bore. Most of this information is on the metal nameplate attached to the fan base.

For assistance in selecting replacement parts, contact your local **nyb** representative or visit: <http://www.nyb.com>.

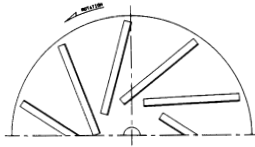
Example: Part required: Wheel/shaft assembly
 Shop/control number: B-10106-100
 Fan description: Size 2206A10 Pressure Blower
 Rotation: Clockwise
 Arrangement: 4

Suggested replacement parts include:

Wheel	Component parts: Damper
Shaft ●	Motor
Bearings*	Coupling*
Shaft Seal*	Sheaves*
	V-Belts*

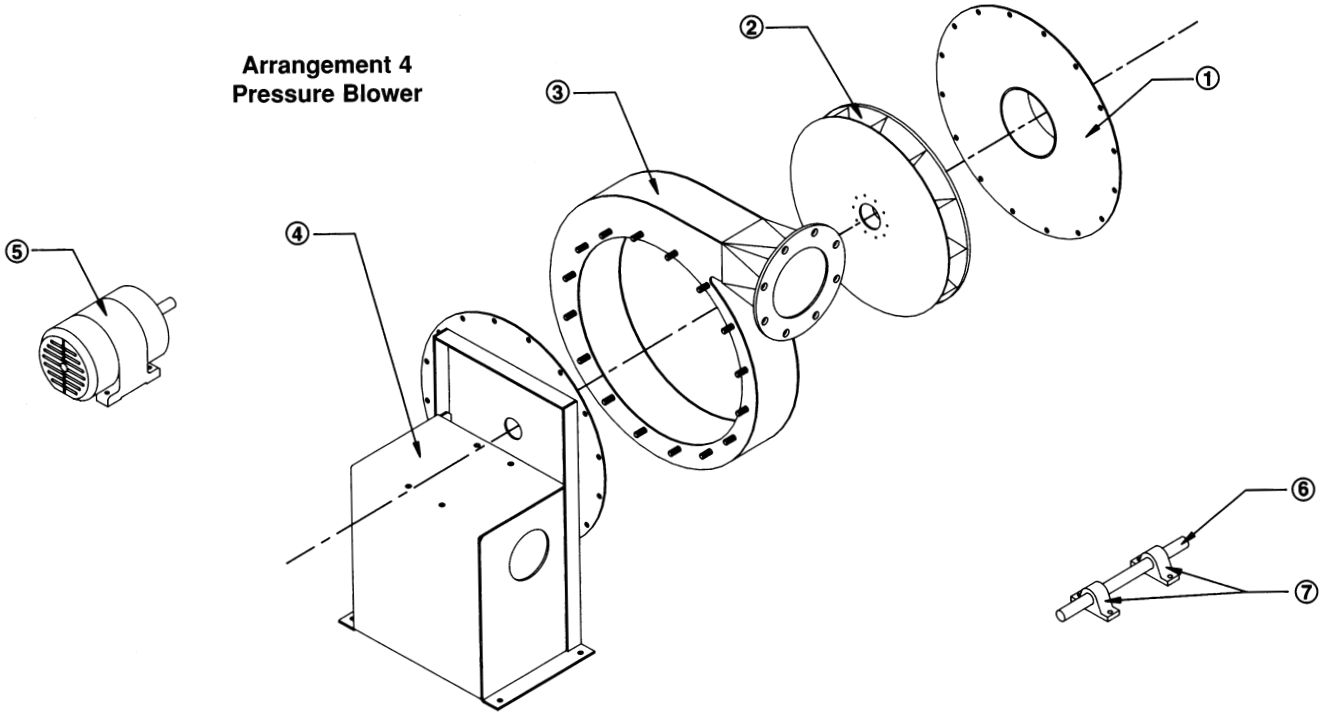
● For Arrangement 1/8 fan only.

SPECIFY ROTATION AS VIEWED FROM DRIVE SIDE

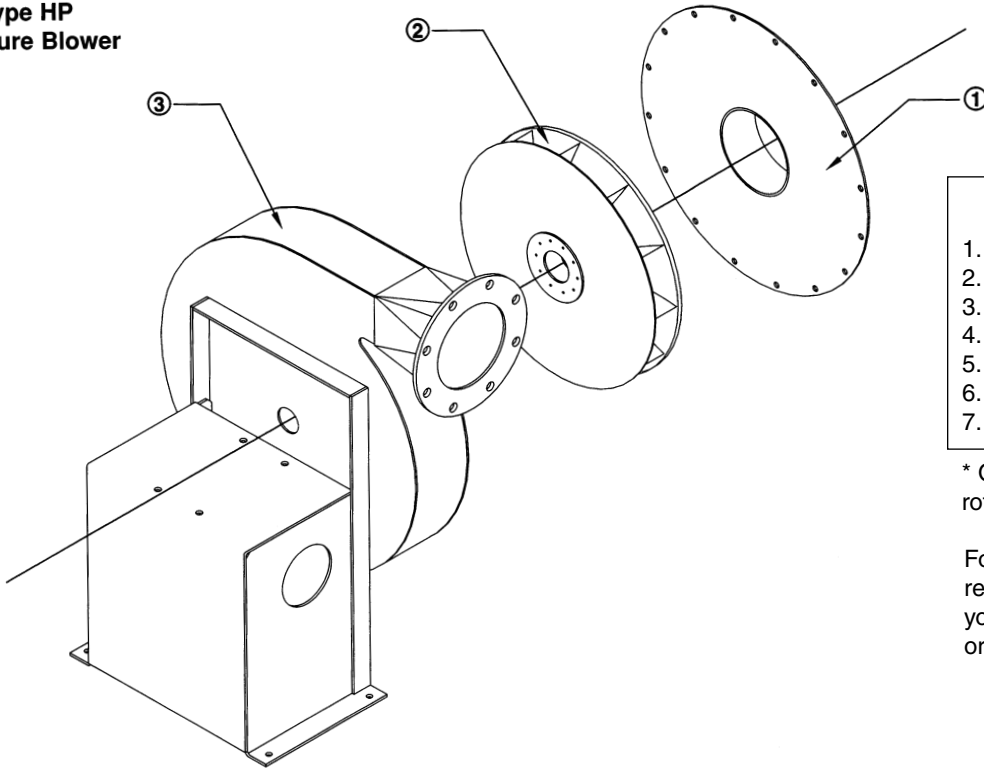


ARROW INDICATES COUNTER CLOCKWISE ROTATION

**Arrangement 4
Pressure Blower**



**Arrangement 4
Type HP
Pressure Blower**



Parts List

1. Inlet Plate Assembly
2. Wheel*
3. Housing*
4. Pedestal Assembly
5. Motor
6. Shaft
7. Bearings

* Order for parts must specify rotation.

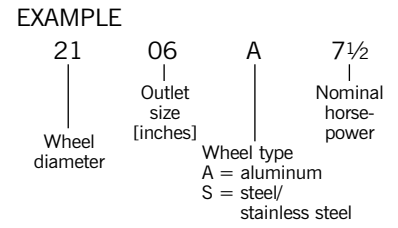
For assistance in selecting replacement parts, contact your local **nyb** representative or visit: <http://www.nyb.com>.

USING PERFORMANCE CURVES

Performance is shown according to outlet sizes for quick reference to duct diameter and velocity. Brake horsepower increments are identified on each curve. Recommended standard blower size and motor combinations are based on the most efficient area of operation and are indicated by the arrows. Nonstandard combinations are generally available, but are usually less efficient than the standard combinations.

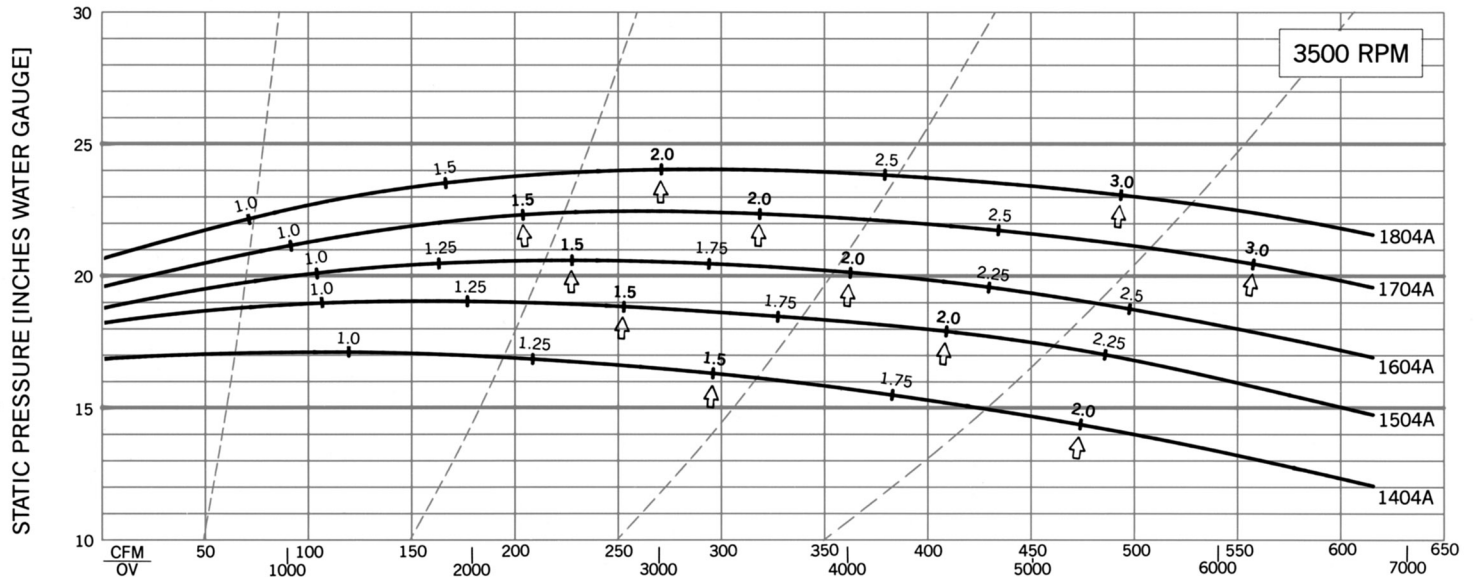
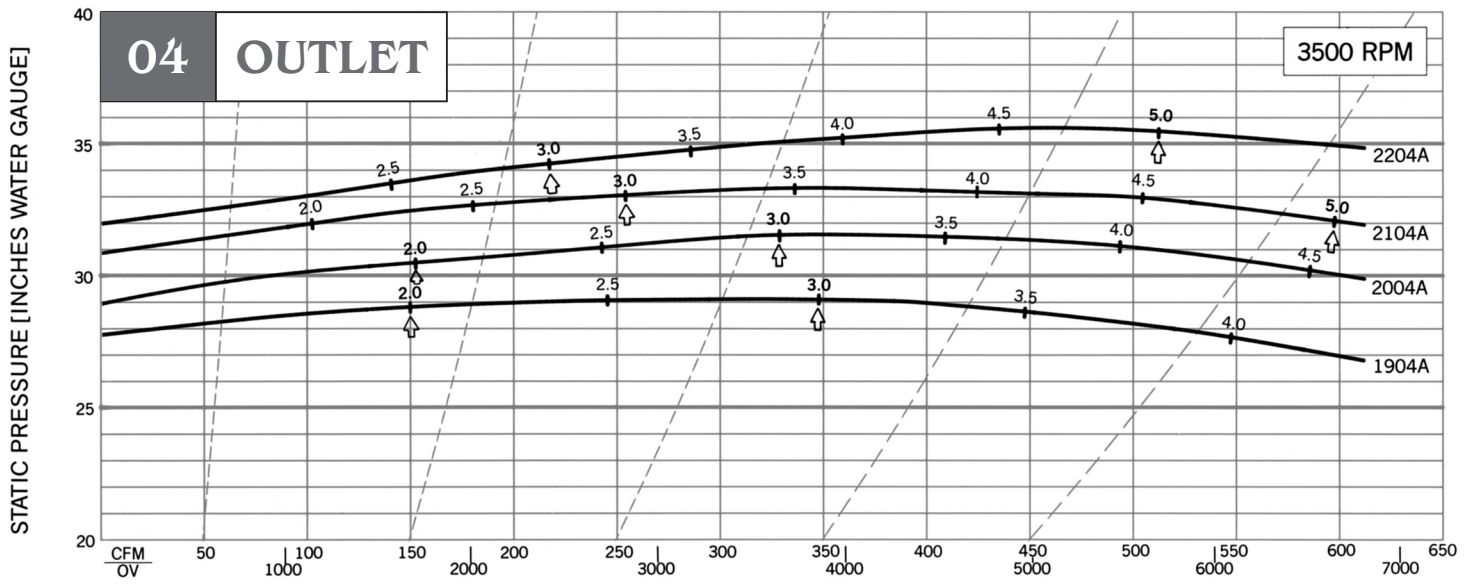
SIZING NOMENCLATURE

7-digit model number designates the wheel diameter, outlet size, wheel type, and nominal motor horsepower.
 Note: the last two digits showing motor horsepower are not required for Arrangement 1 Pressure Blowers.

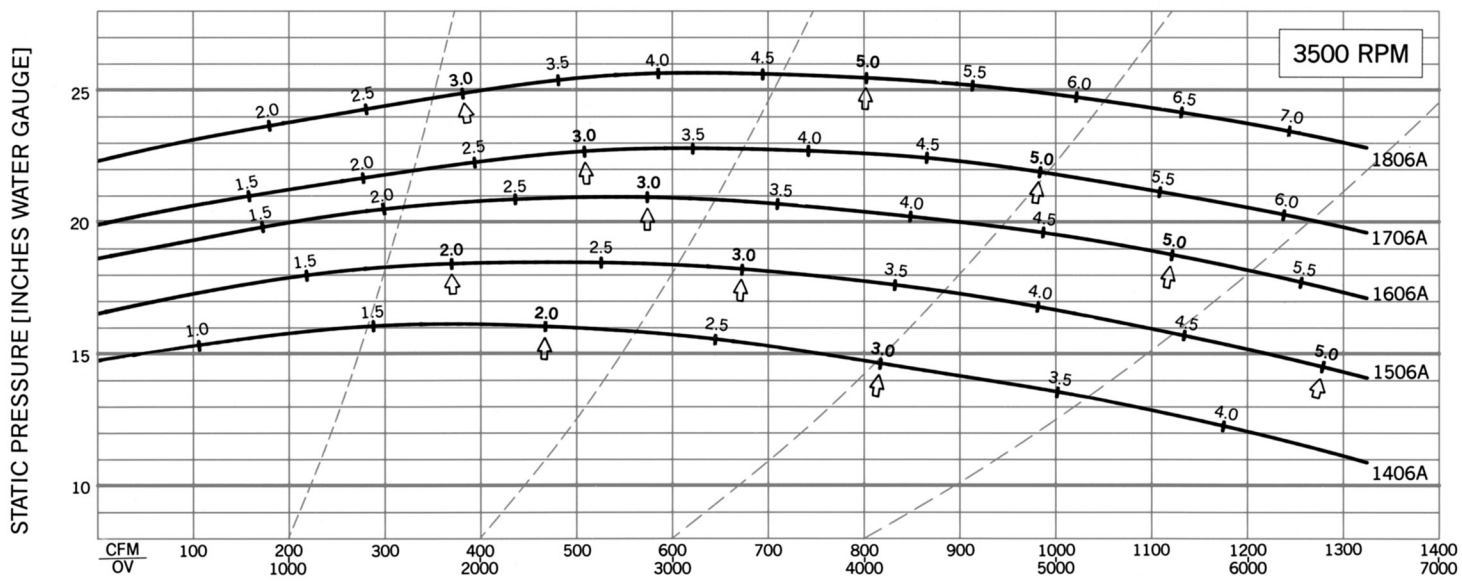
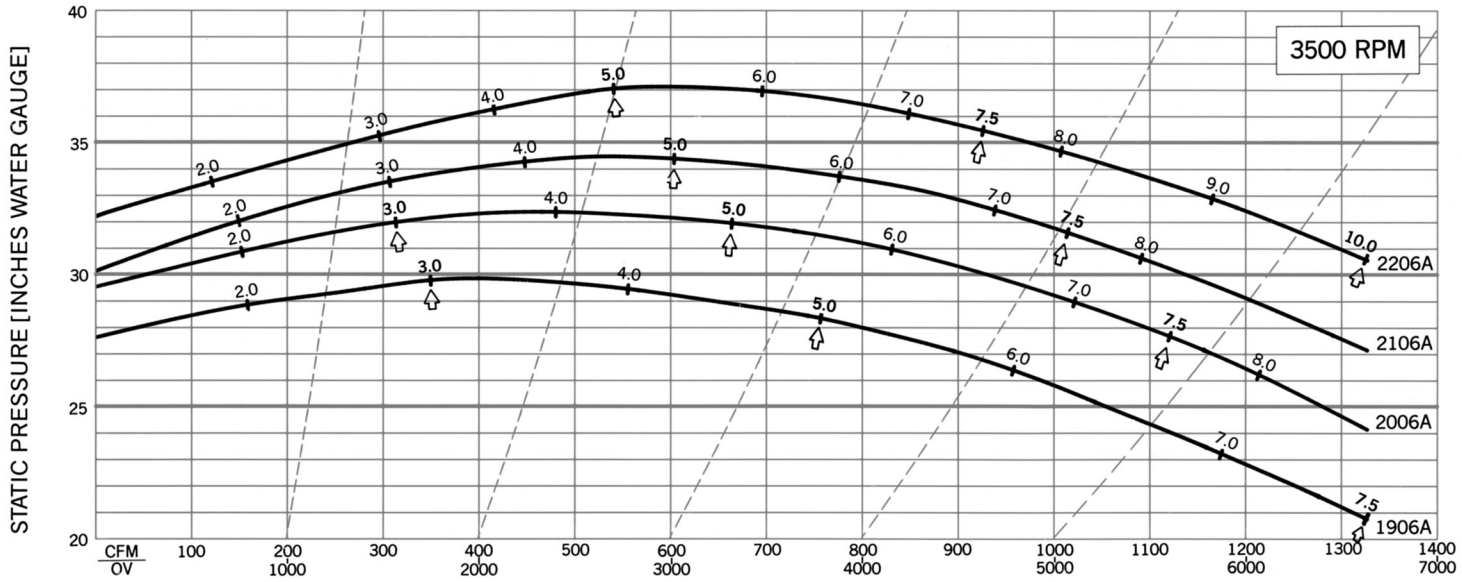
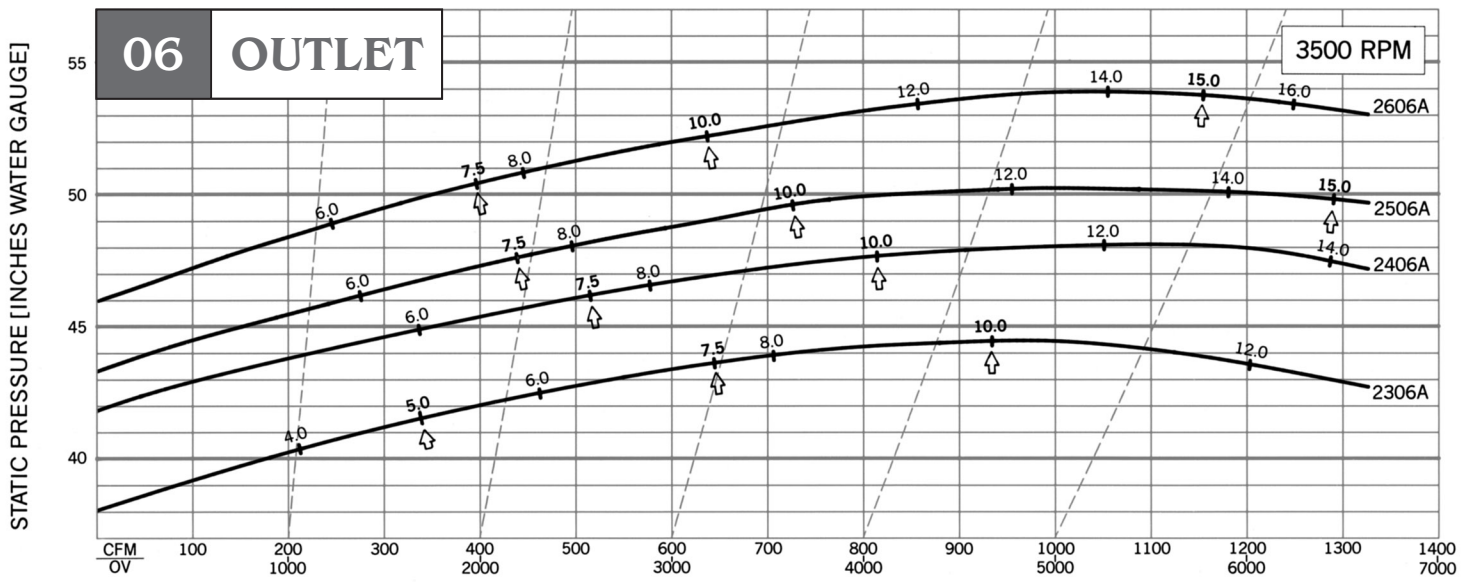


PROCEDURE	STEPS	EXAMPLE
Determine the appropriate outlet size.	1	The 06 outlet is selected for 800 CFM at 32"SP.
Plot the CFM and SP [standard] and follow a projected system line up to the pressure curve that meets or slightly exceeds the required performance.	2	A Size 2106A will provide 820 CFM at 33.6"SP.
Determine the BHP required for the point of operation . . . see page 4 for steel or stainless-steel wheel factors.	3	2106A requires 6.3 BHP. 2106S requires 7.2 BHP [6.3 x 1.15].
Read to the right to select motor horsepower.	4	A 7½ HP motor will cover both wheel types.

Note: The horsepower coverage of a given motor will increase 15% when a 1.15 service factor motor is utilized.

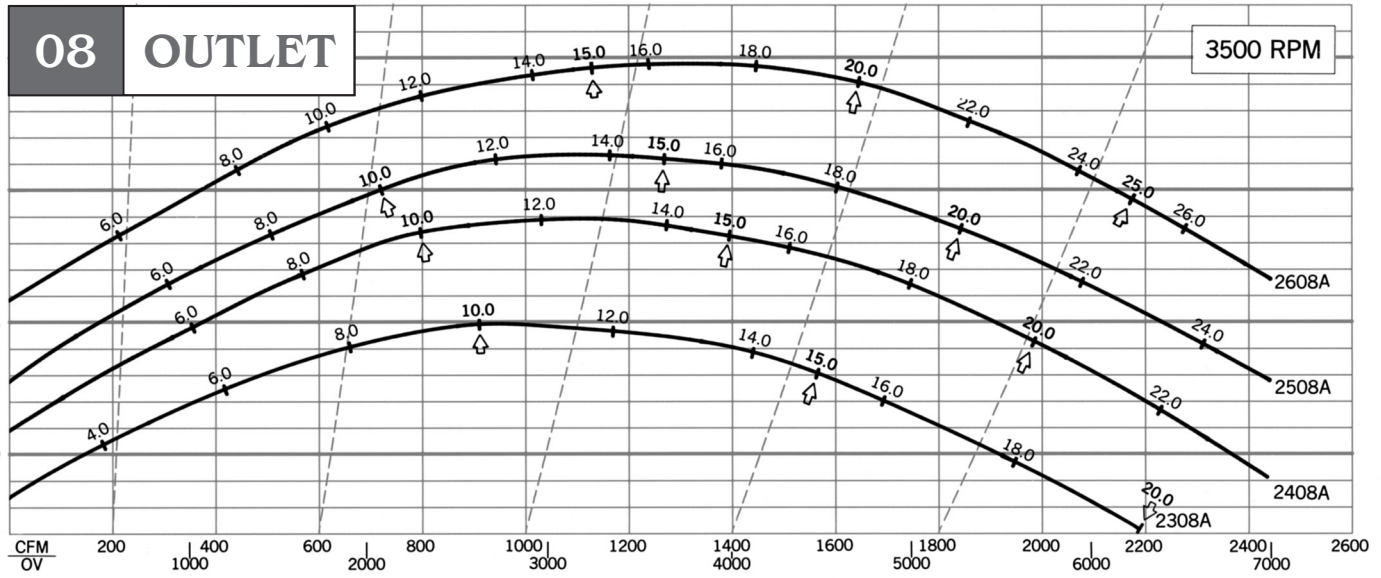


Performance shown is installation Type B: Free inlet, Ducted outlet. Power rating (BHP) does not include drive losses. Performance ratings do not include the effects of appurtenances in airstream.

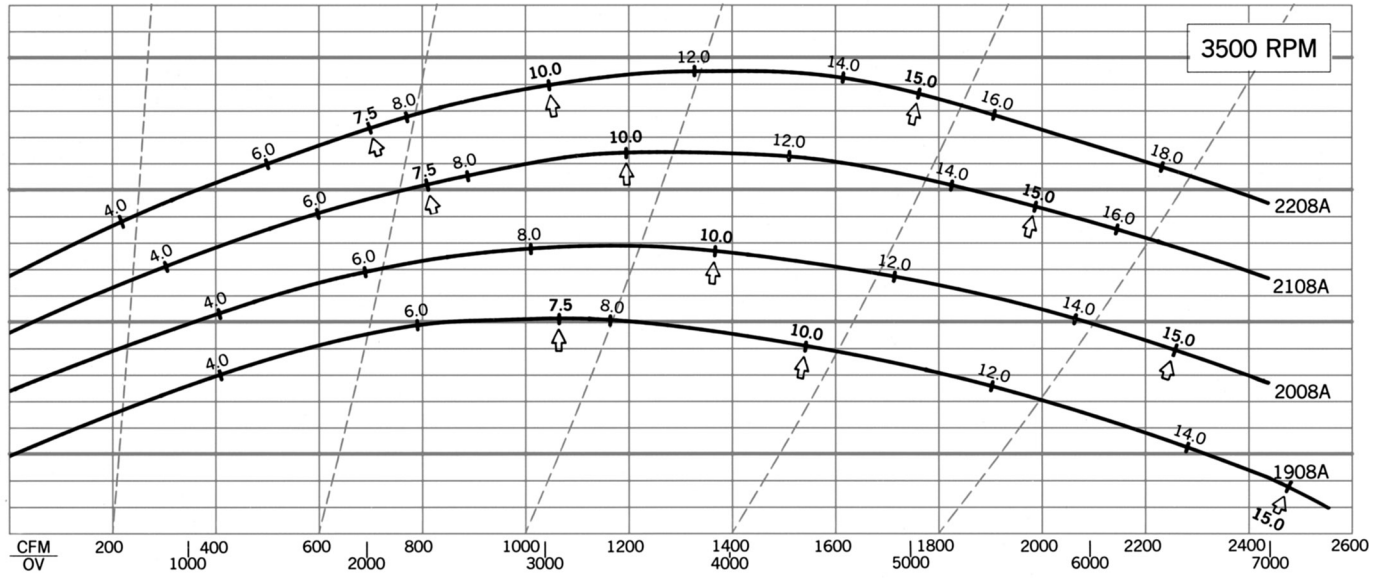


Performance shown is installation Type B: Free inlet, Ducted outlet. Power rating (BHP) does not include drive losses.
Performance ratings do not include the effects of appurtenances in airstream.

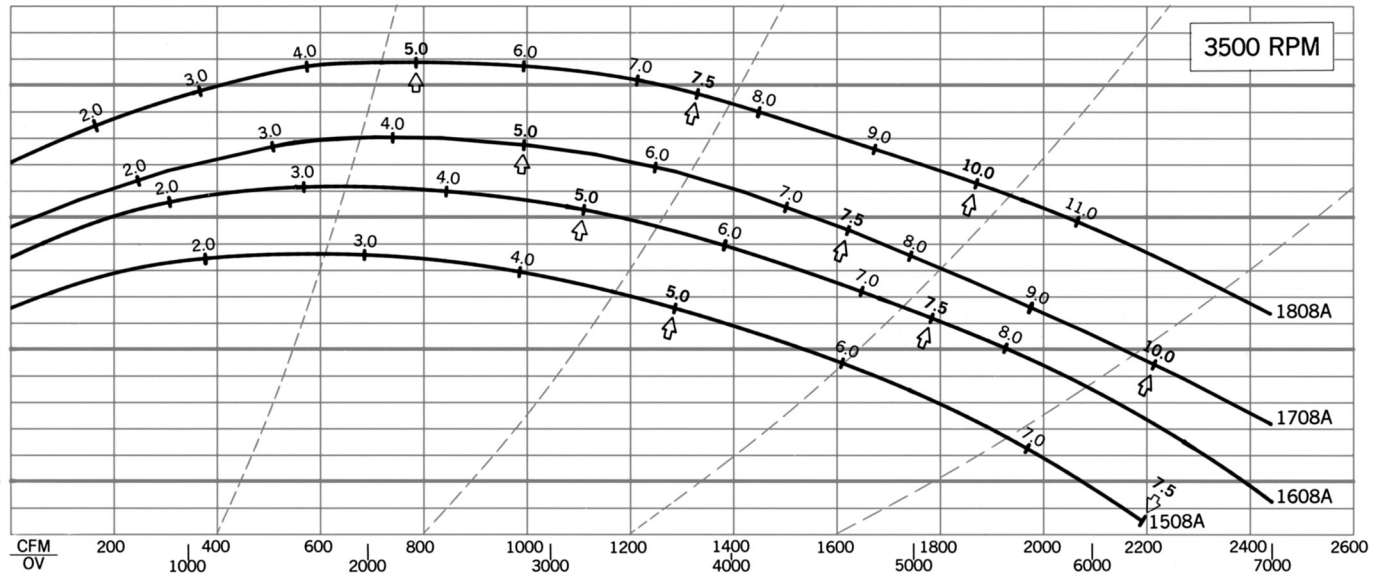
STATIC PRESSURE [INCHES WATER GAUGE]



STATIC PRESSURE [INCHES WATER GAUGE]



STATIC PRESSURE [INCHES WATER GAUGE]



Performance shown is installation Type B: Free inlet, Ducted outlet. Power rating (BHP) does not include drive losses.
Performance ratings do not include the effects of appurtenances in airstream.



Recommended SAFETY PRACTICES

for Users and Installers of Industrial and Commercial Fans
AMCA Publication 410-96

FOREWORD

i. This publication has been prepared by the Air Movement Division of the Air Movement and Control Association International, Inc. (AMCA International). The information contained in this publication has been derived from many sources. The suggestions made necessarily should be general in their meaning and cannot be applied literally to all specific situations or conditions.

ii. **The safe installation and operation of fans is the responsibility of the system designer, installer, maintainer, and user.** From the initial system design through the life of the equipment, safety should be a foremost consideration. Some areas which require some special attention include system design, layout and construction, fan performance specification, foundation and installation details, storage procedures, start-up and commissioning procedures, operation, maintenance, and repair. Specific safety requirements are mandated by federal, state, and local codes. *Recommended Safety Practices for Users and Installers of Industrial and Commercial Fans* is published by AMCA International for assistance. System designers, installers, maintainers, and users should consult and properly comply with all applicable codes and guidelines.

iii. The safety recommendations contained herein are intended to assist designers, installers, maintainers, or other users of air moving devices in the safe operation and use of the devices mentioned. These recommendations do not represent the only methods, procedures, or devices appropriate for the situations discussed. Caution should be used at all times when working in or around moving parts.

iv. AMCA International disclaims any and all warranties, expressed or implied, regarding the products sold by the manufacturer with which this booklet has been provided. Further, AMCA International recommends that competent personnel be consulted in deciding what is the preferred or recommended safety procedure in a particular instance where the guidelines contained in this booklet are unclear or in any way incomplete.

v. AMCA International has offered the information within this booklet to assist in the safe operation, maintenance, and use of the products sold by members of AMCA International. In so doing, AMCA International does not assume any legal duties of the designer or manufacturer to instruct or warn about their product. AMCA International expressly disclaims liability for any injury or damage arising out of the operation or use of the product or the guidelines contained herein.

vi. These recommended safety practices were adopted by the AMCA International membership on April 28, 1996.



Power Roof Ventilator



Wall Exhauster



Propeller Fan



Axial Fan

1. INTRODUCTION

1.1 Fans and other air moving devices are made in a wide variety of types, sizes, and arrangements. This publication addresses the proper use and installation of industrial and commercial fans. It is not intended to address residential and consumer fans.



Centrifugal Fan



Uplblast Roof Exhauster

1.2 Various "size" factors are important when assessing potential for injury; some factors are: diameter of impeller (wheel, rotor, propeller), rotational inertia, voltage, and current.

1.3 This guide is intended to assist in the safe installation of air moving equipment and to warn operating and maintenance personnel of the commonly recognized hazards associated with this equipment.

1.4 Handling and installation should always be performed only by experienced and trained personnel who are aware of the hazards associated with rotating equipment. Failure to comply with these practices may result in death or serious bodily injury. In addition to following the manufacturer's installation instructions, care should be taken to ensure compliance with specific safety requirements mandated by federal, state, and local codes. Industry safety standards and practices published by AMCA International and by other recognized agencies and associations should be consulted and followed where applicable.

2. PERSONNEL SAFETY ACCESSORIES

2.1 GENERAL

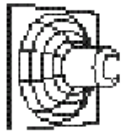
2.1.1 Protective devices are incorporated as standard construction on some types of fans but on many fans, these devices are offered as optional accessories. This is done because the need for the devices and the design required will frequently depend upon the type of system, fan location, and operating procedures being employed. Proper protective safety devices; company safety standards; specific safety requirements mandated by federal, state, and local codes; and industry safety standards and practices published by AMCA International and by other recognized agencies and associations should be determined by the user, who should specify and obtain the appropriate devices from the fan manufacturer or others, and should not allow operation of the equipment without them. Examples of available devices include the following:

2.2 FAN GUARDS

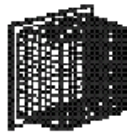
2.2.1 All fans have moving parts which require guarding in the same way as other moving machinery. Fans located less than seven (7) feet above the floor require special consideration. Specific safety requirements should comply with mandated federal, state, and local codes; and industry safety standards and practices published by AMCA International and by other recognized agencies and associations should be followed.

2.2.2 Roof-mounted fans and other fans which are not generally accessible may not require safety guards which might otherwise be appropriate. Where accessibility to these fans is occasional or infrequent, the expense of permanent guarding may be reduced through the use of lockout switches and suitable warnings. In such cases, maintenance personnel

should engage the lockout switch before undertaking any maintenance or repairs. As is the case with other machinery involving moving parts, common sense and caution will preserve personal safety.



*Industrial Type Guard
For Propeller Fan*



*Maximum Safety
Guard for Propeller Fan*



*Screen on Roof
Ventilator*

2.3 INLET AND OUTLET GUARDS

2.3.1 Axial and centrifugal fans are often connected directly to ductwork which will prevent contact with the internal moving parts; when an exposed inlet or outlet represents a hazard, a suitable guard should be installed.



*Centrifugal Fan
Protected by Ductwork*



*Inlet or Outlet Guard
on Centrifugal Fan*



*Guard for Axial Fan With
Non-Ducted Inlet or Outleg*

2.4 DRIVE GUARDS

2.4.1 Fans may be driven directly from the motor shaft or through a belt drive. Where the bearing assembly, rotating shaft, sheaves, or belts are exposed, a suitable guard may need to be provided. Some example guards are shown below.



*Drive Coupling
Guard*



*Heat Slinger Guard
(Shaft and bearing
guard omitted for clarity)*



*Shaft and Bearing
Guard*

2.4.2 Drive guards may be required for tubular centrifugal or axial fans to cover the exposed drive sheave and belts outside the fan housing.



Drive Guard - Axial Fan

2.4.3 A typical centrifugal fan drive guard may vary with the arrangement. Safety guards should be used when drive systems are accessible to personnel. In restricted areas, omission of the back cover may be acceptable.



*Drive Guard -
Centrifugal Fan*

2.4.4 Dampers and their linkage may operate suddenly without warning at high speeds. Dampers and their linkage contain pinch points which should be identified and guarded.

3. HIDDEN DANGERS

3.1 GENERAL

3.1.1 In addition to the obvious hazards associated with the moving parts of rotating machinery, fans present additional potential hazards that are not so obvious and should be considered by the system designer and user for safe operation.

3.2 SUCTION AND AIR PRESSURE

3.2.1 Fans operate by creating suction and air pressure which can be hazardous. Solid objects can be drawn into a fan's inlet and then become dangerous projectiles when they are exhausted through the fan's outlet. **Solid objects can also**



*Special Purpose
Intake Screen*

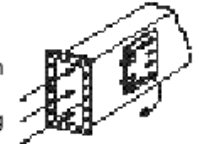
cause fan failure or impeller failure due to imbalance or damage to the impeller blades. Personnel in close proximity to a fan inlet can be overcome by the suction, and drawn into the fan.

3.2.2 Whenever there is a possibility that solid objects can be drawn into a remote intake, the intake should be guarded at all times. Before a guard is removed, the fan should be disconnected and the power supply locked out.

3.2.3 Where fans are installed over an occupied area, safety guards should be provided to prevent dropped objects from entering this area during installation and maintenance.

3.2.4 Access doors to a fan or duct system should never be opened while the fan is operating or coasting to a stop. On the downstream (or pressure) side of the system, releasing the door with the system in operation may result in an explosive opening. On the upstream (or suction) side, the inflow may be sufficient to draw in tools, clothing, and other materials. The power supply should always be locked out prior to accessing a fan or ductwork.

3.2.5 Fan design sometimes requires access doors to be supplied with internal components such as a plug to fill a hole in the fan casing. These doors can often be heavy and difficult to handle. Care should be exercised when opening, removing, and installing these components.



*Bolted Access Door in
Duct*

3.3 WINDMILLING

3.3.1 Even when the power supply is locked out, fans may cause injury or damage if the impeller is subject to "windmilling" which is the turning of the impeller and drive components due to a draft in the system. To guard against this hazard, the impeller should be secured to physically restrict rotational movement.

3.4 TEMPERATURE

3.4.1 Many fans, fan motors, and fan components run at temperatures that could burn someone who comes in contact with the hot areas, including discharged or leaking gases. If this potential hazard is present, steps should be taken so that personnel working near the fan are aware of the danger and can exercise caution.

3.5 FAN NOISE AND ENVIRONMENT

3.5.1 Some fans can generate sound that could be hazardous to exposed personnel. Sound pressure can be measured in the field, but obtaining accurate data is difficult. The environment in which the fan operates can impact the ability to obtain accurate fan sound readings. Consult the manufacturer for fan sound data. It is the responsibility of the system designer, installer, user, and maintainer to comply with specific safety requirements mandated by federal, state, and local codes; and to follow industry safety standards and practices published by AMCA International and by other recognized agencies and associations, regarding personnel safety from exposure to fan noise associated with use and exposure to equipment.



Hearing Protection

3.6 STROBOSCOPIC EFFECT

3.6.1 The stroboscopic effect of certain lights in combination with certain fan speeds may cause a rotating assembly to appear stopped. In these cases, irregular markings can be placed on the moving parts to prevent this type of effect. Personnel should be warned that the fan may be in motion even if it appears not to be.

3.7 SPECIAL PURPOSE FANS AND SYSTEMS

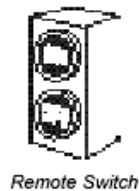
3.7.1 The hidden dangers associated with Special Purpose Fans used in special systems are covered in Section 6.

4. POWER ISOLATION

4.1 Every fan should be installed with a suitable device allowing it to be completely disconnected or isolated from the power supply.

4.2 Many fans are started by remote switches or push-buttons, by interlocks with other equipment, or by automatic controls. Before performing any maintenance, inspection, or other activity which will require removal of guards, ductwork, access doors, etc., or exposure of moving parts, the fan power supply should be locked out and the fan tagged out of service.

4.3 In some installations other equipment, such as gas burners, may be interlocked with the fan so that disconnecting the fan will automatically shut off the burner or other device. Maintenance on systems of this type should be performed only under the supervision of competent engineering personnel and in accordance with applicable codes and standards.



Remote Switch



Disconnect Switch



Lock Carried by
Maintenance Personnel

4.4 In cases where the fan is power driven by a source other than an electric motor, appropriate provisions should be made for the isolation or disengagement of the power supply.

5. START-UP CHECK LIST

5.1 GENERAL

5.1.1 Before putting any fan into initial operation, the manufacturer's instructions should be followed. Transportation, handling, and installation can cause fasteners to loosen, and cause misalignment of fan components. Carefully follow this check list when commissioning equipment.

5.1.2 Lock out the primary and all secondary power sources.

5.1.3 A complete inspection should be made of all of the ductwork and the interior of the fan. Make certain there is no foreign material which can be drawn into or blown through the fan or ductwork. Appropriate protective measures and safety practices should be observed when entering or working within these areas. These measures might include the use of goggles, respirators, or other personal protective devices.

5.1.4 Make sure the foundation or mounting arrangement and the duct connections are adequately designed and installed per drawings and in accordance with recognized acceptable engineering practices and with the fan manufacturer's recommendations.

5.1.5 Check and tighten all bolts, fasteners, and set screws as necessary.

5.1.6 Check the fan assembly and bearings for proper grounding to prevent static electricity discharge.

5.1.7 Ensure power and drive components such as motor starter, variable frequency drive, or hydraulic power unit are properly sized, matched, and connected to the fan.

5.1.8 Check bearings for recommended lubricant and lubrication amount.

5.1.9 Spin the rotating assembly to determine whether it rotates freely, without hitting anything, and is not grossly out of balance.

5.1.10 Inspect impeller for proper rotation for the fan design.

5.1.11 Check alignment of drives and all other components.

5.1.12 Check the belt drive for proper sheave selection and installation and make sure the sheaves are not reversed (excessive speeds could develop).

5.1.13 Check for recommended belt tension.

5.1.14 Properly secure all safety guards.

5.1.15 Assure that all appropriate warnings have been put in place.

5.1.16 Secure all access doors to the fan and ductwork.

5.1.17 Momentarily energize the fan to check the direction of rotation. Listen as the fan coasts to a stop for any unusual noise, identify the source, and take corrective action as necessary.

5.1.18 Switch on the electrical supply and allow the fan to reach full speed. Check carefully for:

- (1) Excessive vibration
- (2) Unusual noise
- (3) Proper belt alignment
- (4) Proper lubrication
- (5) Proper amperage, voltage, or power values.
- (6) If any problem is indicated, **SWITCH OFF IMMEDIATELY.**
- (7) Lock out the power supply. Secure the fan impeller if there is a potential for windmilling. Check carefully for the cause of the trouble, correct as necessary, and repeat check list procedure.

5.2 Even if the fan appears to be operating satisfactorily, shut down after a brief period, lock out the power supply, and recheck items 5.1.5 through

5.1.17 as the initial start-up may have loosened the bolts, fasteners, and set screws.

5.3 The fan may now be put into operation, but during the first eight hours of running, it should be closely observed and checked for excessive vibration and noise. At this time checks should also be made of motor input current and motor and bearing temperatures to ensure that they do not exceed manufacturer's recommendations.

5.4 After eight hours of operation, the fan should be shut down and the power locked out. Check list items 5.1.5 through 5.1.17 should be inspected and adjusted if necessary.

5.5 After twenty-four (24) hours of satisfactory operation, the fan should be shut down (locked out) and the drive belt tension should be readjusted to recommended tension.

5.6 After commissioning and start-up, the fan should be operated and maintained in accordance with the manufacturer's and component manufacturer's recommendations. Some basic guidelines for **WARNING SIGNS** and **ROUTINE MAINTENANCE** are included in Sections 7 and 8 of this publication. These sections are meant as a supplement to other publications and are not intended to replace the manufacturer's instructions.

6. SPECIAL PURPOSE FANS

6.1 Most fans are designed to handle clean air at standard temperatures between 32 F and 120 F. These fans should not be placed in systems or used for other than their design intended use. *Special Purpose Fans* are designed for use in systems that may include extreme temperatures, explosive, toxic, or special gases, material handling, corrosive environments, or other special hazards which should be carefully considered. Specific safety requirements should comply with mandated federal, state, and local codes; and industry safety standards and practices published by AMCA International and by other recognized agencies and associations should be followed.

6.2 Where the system will handle explosive or flammable material (i.e., dust, fumes, vapors or gases), fans of spark-resistant construction should be used.

6.3 Fans connected by ductwork or other piping may contain gases other than air which are hazardous. In these cases, procedures should be established to prevent exposure of personnel working on or near the fan, and by maintenance personnel who may need to enter the fan.

Appropriate personal protective equipment as determined by the material safety data sheet, and system operators should be utilized. Appropriate environmental protective measures should also be taken.

6.4 Fan inlet boxes, housings, ductwork, and other system components which are large enough to permit entry should be considered confined spaces. System areas may also serve as low points where heavy gases, liquids, or other substances may accumulate and present explosive, fire, health, or suffocation hazards. Appropriate protective measures and safety practices should be observed when entering or working within these areas.

6.5 Material-handling fans are specially designed to allow the fan to handle a specific type of material without excessive

accumulation of material on the fan impeller. Fans handling corrosive gases or erosive material should be checked periodically. If loss of material is evident, the fan should be shut down, power supply locked out, and tagged out of service. The manufacturer or other qualified personnel should be consulted to determine if the fan is within safety limits for operation. To ensure satisfactory operation it is essential to observe the manufacturer's limitations concerning the type of material to be handled by the fan.

6.6 Fan ratings and maximum speed limits are typically based on the use of air at 70 F. At temperatures above the normal range (specified by the manufacturer), a reduction should be made in the maximum speed limit. Information on this reduction and on other precautions to be taken for high temperature applications should be obtained from the fan manufacturer. Personnel working near high temperature fans should be aware that coming in contact with the fan's housing, ductwork, or handled gases could result in serious burns. Where the danger of burns is not apparent, appropriate warnings should be posted. Appropriate protective apparel should be worn whenever working in close contact with heated housings or ductwork.

6.7 Corrosive contaminants can be formed when moisture combines with an active airborne chemical. Fans subjected to corrosive contaminants will corrode; however, suitable protective coatings or material, if used in



the fan construction, can delay corrosion. Protected fans should be regularly inspected to ensure that the protection remains effective. Personnel working in environments with airborne chemicals may require personal protective apparel equipment.

6.8 Where liquid can accumulate within the fan, provide for the installation of adequately sized drains.

6.9 In those applications where there is a potential for chemical build-up (such as grease, creosote, etc.), periodic cleaning and proper drainage are necessary to avoid a fire hazard.

7. WARNING SIGNS

7.1 GENERAL

7.1.1 A change in the operating characteristics of a fan may indicate the need for maintenance. Sudden changes may indicate severe problems or dangerous conditions developing. Investigate any changes in the operational characteristics or unusual symptoms of the fan. Refer to AMCA Publication 202, *Troubleshooting*, for a more detailed explanation of investigating procedures. Consult your manufacturer or other qualified consultant with questions concerning changes observed.

7.2 EXCESSIVE VIBRATION

7.2.1 Operational vibration levels are one of the best indicators of the condition of the blower. Careful observation and monitoring of vibration levels can detect a minor problem in the early stages of development when correction is less costly and easier. Recommended maximum vibration levels should be obtained from the equipment manufacturer.

7.2.2 If excessive vibration is observed, stop the fan and lock it out until the cause is corrected. Check for material build-up on the impeller. Generally this will show up as material flaking off the fan impeller and causing an imbalance which may lead to catastrophic failure of the fan or its components. Excessive vibration can also be caused by looseness in the drive train, loose fasteners, misalignment or impeller damage. Contact the fan manufacturer or other qualified consultant to determine the maximum vibration level if it is not included in maintenance instructions.

7.3 NOISE

7.3.1 Changes to the sound level may indicate maintenance is needed. Some unusual noises often heard include: bearing noise indicating the bearings need lubricant or replacement; scraping or ticking noise indicating the rotating parts are hitting the stationary parts; squealing indicating the belt drive needs tensioning; repeated changing pitch of the blower indicating operation of the blower at too low a flow. If any of these noises or any other unusual noises are detected, their cause should be determined and corrective action taken as necessary.

7.4 HIGH MOTOR TEMPERATURES

7.4.1 Check that cooling air to the motor has not been diverted or blocked by dirty guards or similar obstacles. Check the input amperage. An increase in amperage may indicate that some major change has occurred in the system.

7.5 HIGH BEARING TEMPERATURES

7.5.1 This condition is usually caused by improper lubrication; this can be either "over," "under," or "unsuitable" lubrication. In every case, if the cause of the trouble is not easily seen, experienced personnel should examine the equipment before it is put back in operation.

7.6 POOR PERFORMANCE

7.6.1 Too much flow or pressure or too little flow or pressure is often a symptom of a change in the operating system. A fan will typically operate at the same performance in a static system some typical causes include: operating of the fan backwards after maintenance procedures; filters dirty or not in place; change or blockage in the ductwork; change in speed of the fan (switching the sheaves); loss or failure of the impeller. All of these causes and many others will affect the flow and pressure produced by the fan.

8. ROUTINE MAINTENANCE

8.1 A preventive maintenance program is an important aspect of an effective safety program. Consult your manufacturer or other qualified consultant with questions concerning changes observed during periodic inspections and routine maintenance.

8.2 The fan manufacturer's operating and maintenance recommendations, as well as the components manufacturer's instructions (such as motor, bearing, drives, etc.) should be strictly followed.

8.3 *Maintenance should always be performed by experienced and trained personnel who are aware of the hazards associated with rotating equipment.* Do not attempt any maintenance on a fan unless the fan power supply has been locked out and tagged out and the impeller has been secured.

8.4 When performing maintenance functions which include disassembly of the fan, careful consideration should be given to the size, weight, center of gravity, and lifting means of the fan components. It should also be noted that the outboard bearing on some fans such as arrangements 1, 8, 9, and 10 is often cap-loaded. Removal of the securing means may result in a sudden change in impeller position.

8.5 Historical data is often the best indicator for determining the operational condition of the fan. Maintenance logs which include relubrication, vibration levels, temperature levels, power requirements, inspection, and other pertinent records should be maintained and consulted as necessary when assessing the condition of the fan.

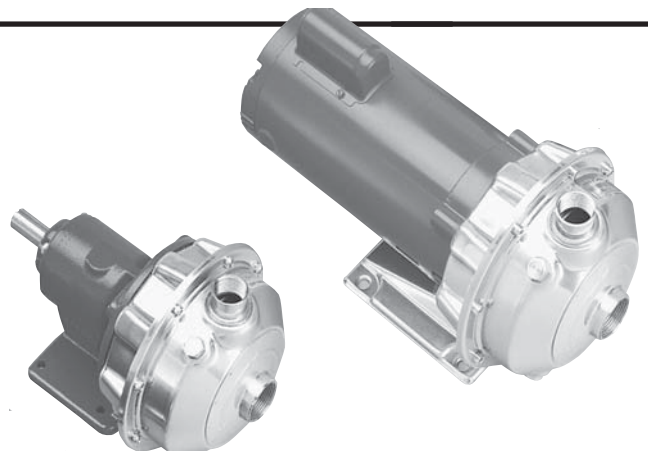
8.6 Under normal circumstances, handling clean air, the system should require cleaning only once a year. However, the fan and system should be checked at regular intervals to detect any unusual accumulation.

8.7 The fan impeller should be specially checked for build-up of material or dirt which may cause an imbalance with resulting undue wear on bearings and belt drives. A regular maintenance program should be established as needed to prevent material build-up.

8.8 Periodic inspection of the rotating assembly should be made to detect any indication of weakening of the rotor because of corrosion, erosion, or metal fatigue. Where signs of deterioration are found, lock out and tag out the impeller until the unit has been inspected and approved by a qualified consultant.

Installation, Operation and Maintenance Instructions

Model NPE/ NPE-F



DESCRIPTION & SPECIFICATIONS:

The Models NPE (close-coupled) and NPE-F (frame-mounted) are end suction, single stage centrifugal pumps for general liquid transfer service, booster applications, etc. Liquid-end construction is all AISI Type 316 stainless steel, stamped and welded. Impellers are fully enclosed, non-trimable to intermediate diameters. Casings are fitted with a diffuser for efficiency and for negligible radial shaft loading.

Close-coupled units have NEMA 48J or 56J motors with C-face mounting and threaded shaft extension. Frame-mounted units can be coupled to motors through a spacer coupling, or belt driven.

1. Important:

1.1. Inspect unit for damage. Report any damage to carrier/dealer immediately.

1.2. Electrical supply must be a separate branch circuit with fuses or circuit breakers, wire sizes, etc., per National and Local electrical codes. Install an all-leg disconnect switch near pump.

CAUTION

Always disconnect electrical power when handling pump or controls.

1.3. Motors must be wired for proper voltage. Motor wiring diagram is on motor nameplate. Wire size must limit maximum voltage drop to 10% of nameplate voltage at motor terminals, or motor life and pump performance will be lowered.

1.4. Always use horsepower-rated switches, contactor and starters.

1.5. Motor Protection

1.5.1. Single-phase: Thermal protection for single-phase units is sometimes built in (check nameplate). If no built-in protection is provided, use a contactor with a proper overload. Fusing is permissible.

1.5.2. Three-phase: Provide three-leg protection with properly sized magnetic starter and thermal overloads.

1.6. Maximum Operating Limits:

Liquid Temperature: 212° F (100° C) with standard seal.
250° F (120° C) with optional high temp seal.

Pressure: 75 PSI.

Starts Per Hour: 20, evenly distributed.

1.7. Regular inspection and maintenance will increase service life. Base schedule on operating time. Refer to Section 8.

2. Installation:

2.1. General

2.1.1. Locate pump as near liquid source as possible (below level of liquid for automatic operation).

2.1.2. Protect from freezing or flooding.

2.1.3. Allow adequate space for servicing and ventilation.

2.1.4. All piping must be supported independently of the pump, and must “line-up” naturally.

CAUTION

Never draw piping into place by forcing the pump suction and discharge connections.

2.1.5. Avoid unnecessary fittings. Select sizes to keep friction losses to a minimum.

2.2. Close-Coupled Units:

2.2.1. Units may be installed horizontally, inclined or vertically.

CAUTION

Do not install with motor below pump. Any leakage or condensation will affect the motor.

2.2.2. Foundation must be flat and substantial to eliminate strain when tightening bolts. Use rubber mounts to minimize noise and vibration.

2.2.3. Tighten motor hold-down bolts before connecting piping to pump.

2.3. Frame-Mounted Units:

2.3.1. It is recommended that the bedplate be grouted to a foundation with solid footing. Refer to Fig. 1.

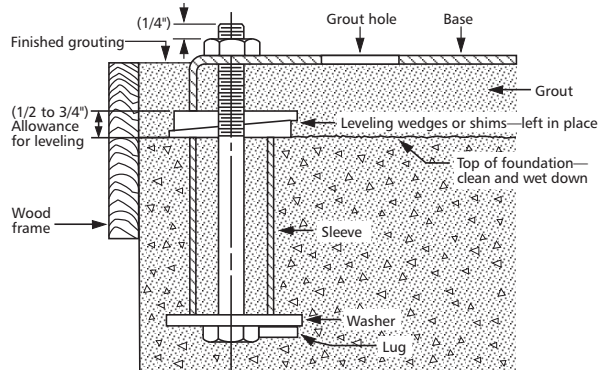


Figure 1

2.3.2. Place unit in position on wedges located at four points (two below approximate center of driver and two below approximate center of pump). Adjust wedges to level unit. Level or plumb suction and discharge flanges.

2.3.3. Make sure bedplate is not distorted and final coupling alignment can be made within the limits of movement of motor and by shimming, if necessary.

2.3.4. Tighten foundation bolts finger tight and build dam around foundation. Pour grout under bedplate making sure the areas under pump and motor feet are filled solid. Allow grout to harden 48 hours before fully tightening foundation bolts.

2.3.5. Tighten pump and motor hold-down bolts before connecting the piping to pump.

3. Suction Piping:

3.1. Low static suction lift and short, direct, suction piping is desired. For suction lift over 10 feet and liquid temperatures over 120 F, consult pump performance curve for Net Positive Suction Head Required.

3.2. Suction pipe must be at least as large as the suction connection of the pump. Smaller size will degrade performance.

3.3. If larger pipe is required, an eccentric pipe reducer (with straight side up) must be installed at the pump.

3.4. Installation with pump below source of supply:

3.4.1. Install full flow isolation valve in piping for inspection and maintenance.

CAUTION

Do not use suction isolation valve to throttle pump.

3.5. Installation with pump above source of supply:

3.5.1. Avoid air pockets. No part of piping should be higher than pump suction connection. Slope piping upward from liquid source.

3.5.2. All joints must be airtight.

3.5.3. Foot valve to be used only if necessary for priming, or to hold prime on intermittent service.

3.5.4. Suction strainer open area must be at least triple the pipe area.

3.6. Size of inlet from liquid source, and minimum submergence over inlet, must be sufficient to prevent air entering pump through vortexing. See Figs. 2-5

3.7. Use 3-4 wraps of Teflon tape to seal threaded connections.

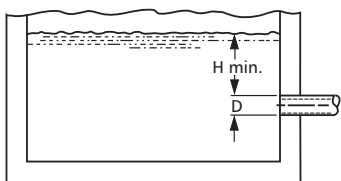


Figure 2

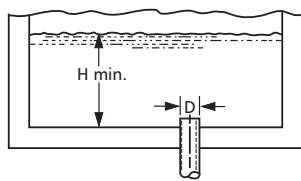


Figure 3

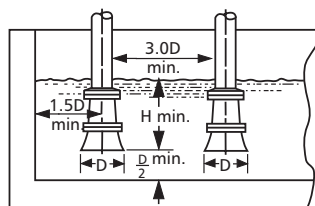


Figure 4

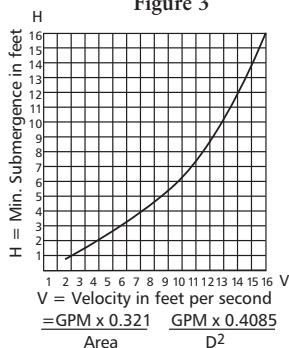


Figure 5

4. Discharge Piping:

4.1. Arrangement must include a check valve located between a gate valve and the pump. The gate valve is for regulation of capacity, or for inspection of the pump or check valve.

4.2. If an increaser is required, place between check valve and pump.

4.3. Use 3-4 wraps of Teflon tape to seal threaded connections.

5. Motor-To-Pump Shaft Alignment:

5.1. Close-Coupled Units:

5.1.1. No field alignment necessary.

5.2. Frame-Mounted Units:

5.2.1. Even though the pump-motor unit may have a factory alignment, this could be disturbed in transit and must be checked prior to running. See Fig. 6.

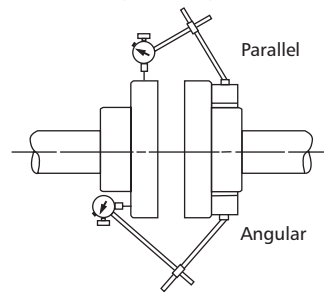


Figure 6

5.2.2. Tighten all hold-down bolts before checking the alignment.

5.2.3. If re-alignment is necessary, always move the motor. Shim as required.

5.2.4. Parallel misalignment - shafts with axis parallel but not concentric. Place dial indicator on one hub and rotate this hub 360 degrees while taking readings on the outside diameter of the other hub. Parallel alignment occurs when Total Indicator Reading is .005", or less.

5.2.5. Angular misalignment - shafts with axis concentric but not parallel. Place dial indicator on one hub and rotate this hub 360 degrees while taking readings on the face of the other hub. Angular alignment is achieved when Total Indicator Reading is .005", or less.

5.2.6. Final alignment is achieved when parallel and angular requirements are satisfied with motor hold-down bolts tight.

CAUTION

Always recheck both alignments after making any adjustment.

6. Rotation:

6.1. Correct rotation is right-hand (clockwise when viewed from the motor end). Switch power on and off quickly. Observe shaft rotation. To change rotation:

6.1.1. Single-phase motor: Non-reversible.

6.1.2. Three-phase motor: Interchange any two power supply leads.

7. Operation:

7.1. Before starting, pump must be primed (free of air and suction pipe full of liquid) and discharge valve partially open.

CAUTION

Pumped liquid provides lubrication. If pump is run dry, rotating parts will seize and mechanical seal will be damaged. Do not operate at or near zero flow. Energy imparted to the liquid is converted into heat. Liquid may flash to vapor. Rotating parts require liquid to prevent scoring or seizing.

7.2. Make complete check after unit is run under operating conditions and temperature has stabilized. Check for expansion of piping. On frame-mounted units coupling alignment may have changed due to the temperature differential between pump and motor. Recheck alignment.

8. Maintenance:

8.1. Close-Coupled Unit. Ball bearings are located in and are part of the motor. They are permanently lubricated. No greasing required.

8.2. Frame-Mounted Units:

8.2.1. Bearing frame should be regreased every 2,000 hours or 3 month interval, whichever occurs first. Use a #2 sodium or lithium based grease. Fill until grease comes out of relief fittings, or lip seals, then wipe off excess.

8.2.2. Follow motor and coupling manufacturers' lubrication instructions.

8.2.3. Alignment must be rechecked after any maintenance work involving any disturbance of the unit.

9. Disassembly:

Complete disassembly of the unit will be described. Proceed only as far as required to perform the maintenance work needed.

9.1. Turn off power.

9.2. Drain system. Flush if necessary.

9.3. Close-Coupled Units: Remove motor hold-down bolts.

Frame-Mounted Units: Remove coupling, spacer, coupling guard and frame hold-down bolts.

9.4. Disassembly of Liquid End:

9.4.1. Remove casing bolts (370).

9.4.2. Remove back pull-out assembly from casing (100).

9.4.3. Remove impeller locknut (304).

CAUTION

Do not insert screwdriver between impeller vanes to prevent rotation of close-coupled units. Remove cap at opposite end of motor. A screwdriver slot or a pair of flats will be exposed. Using them will prevent impeller damage.

9.4.4. Remove impeller (101) by turning counter-clockwise when looking at the front of the pump. Protect hand with rag or glove.

CAUTION

Failure to remove the impeller in a counter-clockwise direction may damage threading on the impeller, shaft or both.

9.4.5. With two pry bars 180 degrees apart and inserted between the seal housing (184) and the motor adapter (108), carefully separate the two parts. The mechanical seal rotary unit (383) should come off the shaft with the seal housing.

9.4.6. Push out the mechanical seal stationary seat from the motor side of the seal housing.

9.5. Disassembly of Bearing Frame:

9.5.1. Remove bearing cover (109).

9.5.2. Remove shaft assembly from frame (228).

9.5.3. Remove lip seals (138 & 139) from bearing frame and bearing cover if worn and are being replaced.

9.5.5. Use bearing puller or arbor press to remove ball bearings (112 & 168).

10. Reassembly:

10.1. All parts should be cleaned before assembly.

10.2. Refer to parts list to identify required replacement items. Specify pump index or catalog number when ordering parts.

10.3. Reassembly is the reverse of disassembly.

10.3.1. Impeller and impeller locknut assembled onto motor shaft with 10 ft-lbs of torque.

10.4. Observe the following when reassembling the bearing frame:

10.4.1. Replace lip seals if worn or damaged.

10.4.2. Replace ball bearings if loose, rough or noisy when rotated.

10.4.3. Check shaft for runout. Maximum permissible is .002" T.I.R.

10.5. Observe the following when reassembling the liquid-end:

10.5.1. All mechanical seal components must be in good condition or leakage may result. Replacement of complete seal assembly, whenever seal has been removed, is good standard practice.

It is permissible to use a light lubricant, such as glycerin, to facilitate assembly. Do not contaminate the mechanical seal faces with lubricant.

10.5.2. Inspect casing O-ring (513) and replace if damaged. This O-ring may be lubricated with petroleum jelly to ease assembly.

10.5.3. Inspect guidevane O-ring (349) and replace if worn.

CAUTION

Do not lubricate guidevane O-ring (349). Insure it is not pinched by the impeller on reassembly.

10.6. Check reassembled unit for binding. Correct as required.

10.7. Tighten casing bolts in a star pattern to prevent O-ring binding.

11. Trouble Shooting Chart:

MOTOR NOT RUNNING

(See causes 1 thru 6)

LITTLE OR NO LIQUID DELIVERED:

(See causes 7 thru 17)

POWER CONSUMPTION TOO HIGH:

(See causes 4, 17, 18, 19, 22)

EXCESSIVE NOISE AND VIBRATION:

(See causes 4, 6, 9, 13, 15, 16, 18, 20, 21, 22)

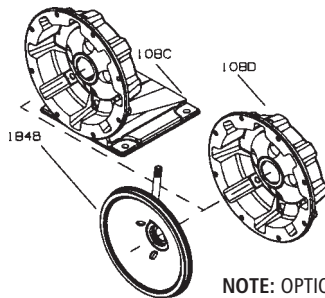
PROBABLE CAUSE:

1. Tripped thermal protector
2. Open circuit breaker
3. Blown fuse
4. Rotating parts binding
5. Motor wired improperly
6. Defective motor
7. Not primed
8. Discharge plugged or valve closed
9. Incorrect rotation
10. Foot valve too small, suction not submerged, inlet screen plugged.
11. Low voltage
12. Phase loss (3-phase only)
13. Air or gasses in liquid
14. System head too high
15. NPSHA too low:
Suction lift too high or suction losses excessive.
Check with vacuum gauge.
16. Impeller worn or plugged
17. Incorrect impeller diameter
18. Head too low causing excessive flow rate
19. Viscosity or specific gravity too high
20. Worn bearings
21. Pump or piping loose
22. Pump and motor misaligned

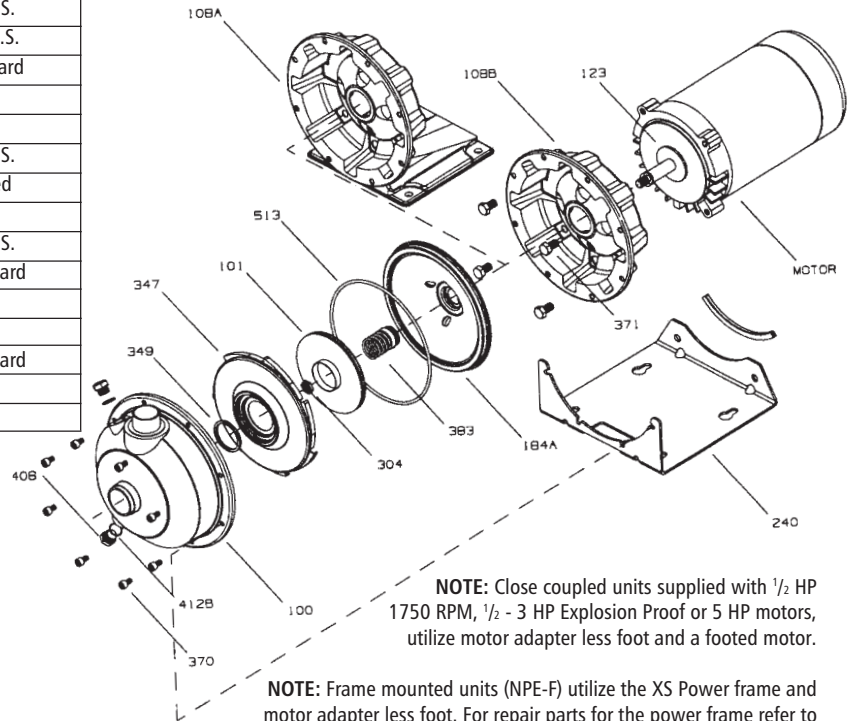
NPE Standard Repair Parts List

Item No.	Description	Materials of Construction
100	Casing	AISI 316L Stainless Steel
101	Impeller	
108A	Motor adapter with foot	
108B	Motor adapter less foot	
108C	Motor adapter with foot and Flush	
108D	Motor adapter less foot with Flush	
123	Deflector	BUNA-N
184A	Seal housing std.	AISI 316L S.S.
184B	Seal housing with seal flush	
240	Motor support	300 S.S.
	Rubber channel	Rubber
304	Impeller locknut	AISI 316 S.S.
347	Guidevane	AISI 316L S.S.
349	Seal-Ring, guidevane	Viton Standard
		EPR
		BUNA
370	Socket head screw, casing	AISI 410 S.S.
371	Bolts, motor	Steel/plated
383	Mechanical seal	
408	Drain and vent plug, casing	AISI 316 S.S.
412B	O-Ring, drain plugs	Viton, standard
		EPR
		BUNA
		Viton, standard
513	O-Ring, casing	EPR
		BUNA
		BUNA

Item 383 Mechanical Seal (1/2" seal)				
Rotary	Stationary	Elastomers	Metal Parts	Part No.
Carbon	Sil-Carbide	EPR	316SS	10K18
		Viton		10K55
EPR		10K81		
Viton		10K62		



NOTE: OPTIONAL SEAL FLUSH COMPONENTS



NOTE: Close coupled units supplied with 1/2 HP 1750 RPM, 1/2 - 3 HP Explosion Proof or 5 HP motors, utilize motor adapter less foot and a footed motor.

NOTE: Frame mounted units (NPE-F) utilize the XS Power frame and motor adapter less foot. For repair parts for the power frame refer to the XS-Power frame repair parts page in the parts section of your catalog. To order the power frame complete order item 14L61

GOULDS PUMPS LIMITED WARRANTY

This warranty applies to all water systems pumps manufactured by Goulds Pumps.

Any part or parts found to be defective within the warranty period shall be replaced at no charge to the dealer during the warranty period. The warranty period shall exist for a period of twelve (12) months from date of installation or eighteen (18) months from date of manufacture, whichever period is shorter.

A dealer who believes that a warranty claim exists must contact the authorized Goulds Pumps distributor from whom the pump was purchased and furnish complete details regarding the claim. The distributor is authorized to adjust any warranty claims utilizing the Goulds Pumps Customer Service Department.

The warranty excludes:

- (a) Labor, transportation and related costs incurred by the dealer;
- (b) Reinstallation costs of repaired equipment;
- (c) Reinstallation costs of replacement equipment;
- (d) Consequential damages of any kind; and,
- (e) Reimbursement for loss caused by interruption of service.

For purposes of this warranty, the following terms have these definitions:

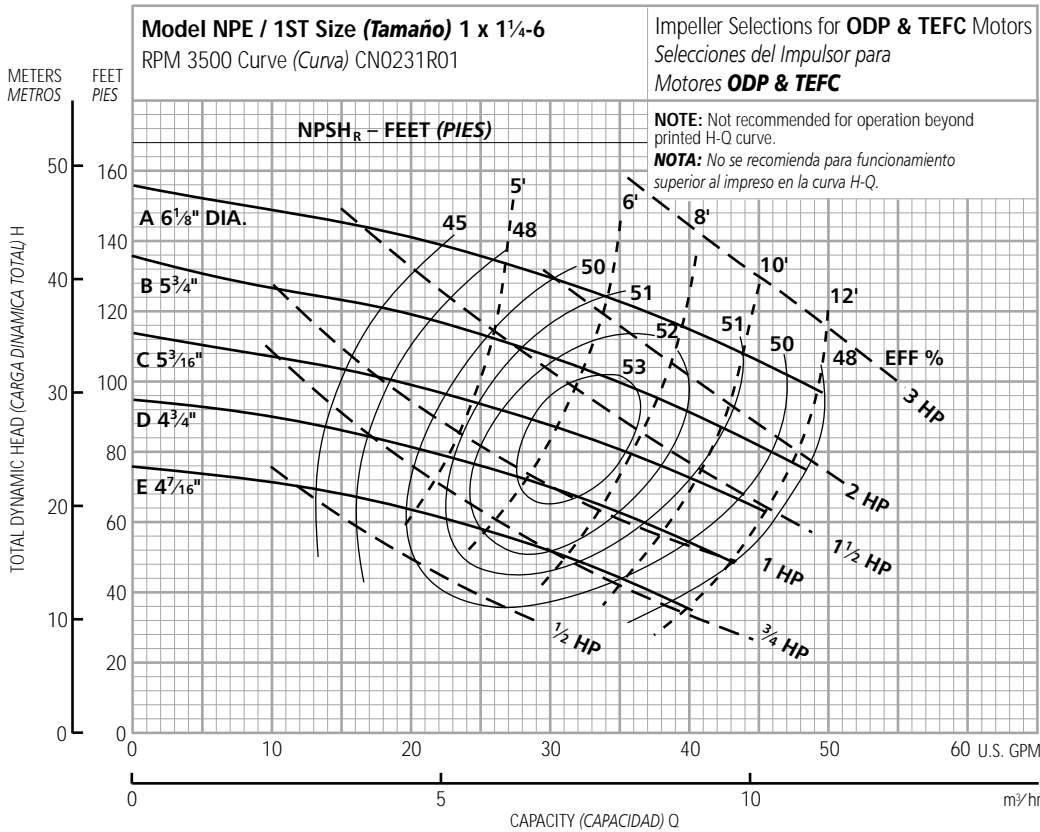
- (1) "Distributor" means any individual, partnership, corporation, association, or other legal relationship that stands between Goulds Pumps and the dealer in purchases, consignments or contracts for sale of the subject pumps.
- (2) "Dealer" means any individual, partnership, corporation, association, or other legal relationship which engages in the business of selling or leasing pumps to customers.
- (3) "Customer" means any entity who buys or leases the subject pumps from a dealer. The "customer" may mean an individual, partnership, corporation, limited liability company, association or other legal entity which may engage in any type of business.

THIS WARRANTY EXTENDS TO THE DEALER ONLY.

Goulds Pumps and the ITT Engineered Blocks Symbol are registered trademarks and tradenames of ITT Industries.

Visit us at www.goulds.com

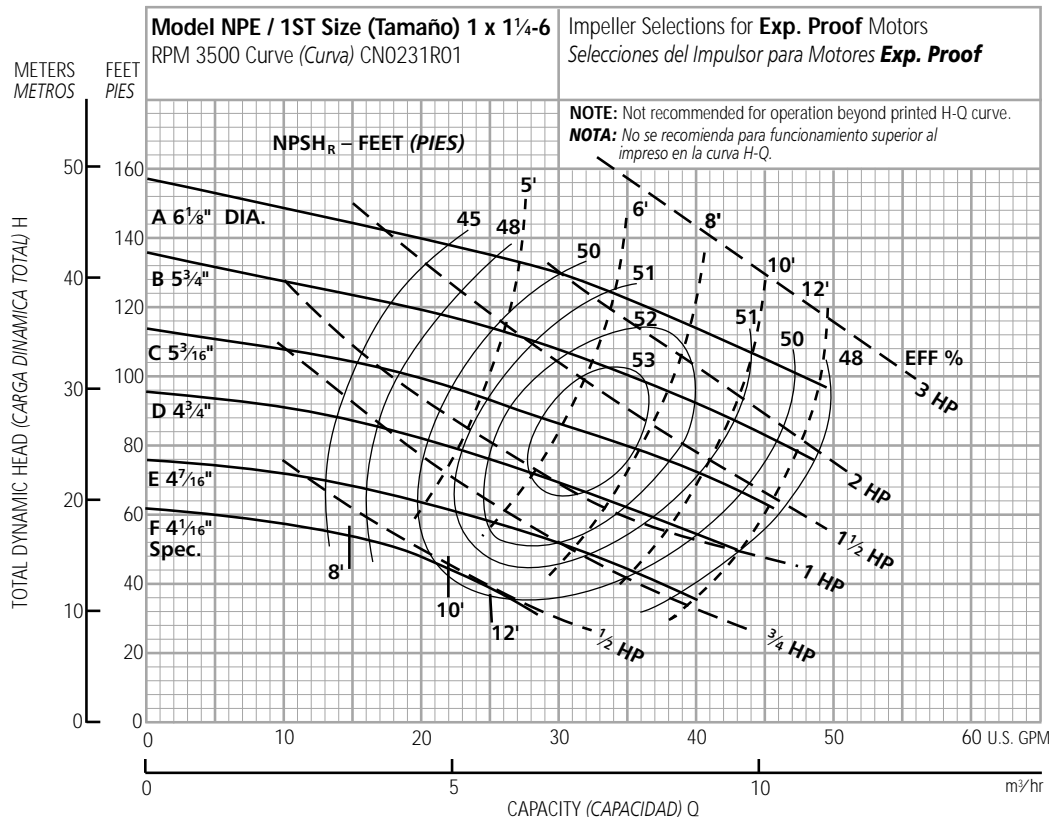
Performance Curves – 60 Hz, 3500 RPM
Curvas de Funcionamiento – 60 Hz, 3500 RPM



Ordering Code, Código de Pedido	Standard HP Rating, Estándar HP Potencia	Imp. Dia.
E	1/2	4 7/16"
D	3/4	4 3/4"
C	1	5 3/16"
B	1 1/2	5 3/4"
A	2	6 1/8"

NOTE: Although not recommended, the pump may pass a 1/16" sphere.

NOTA: Si bien no se recomienda, la bomba puede pasar una esfera de 1/16".

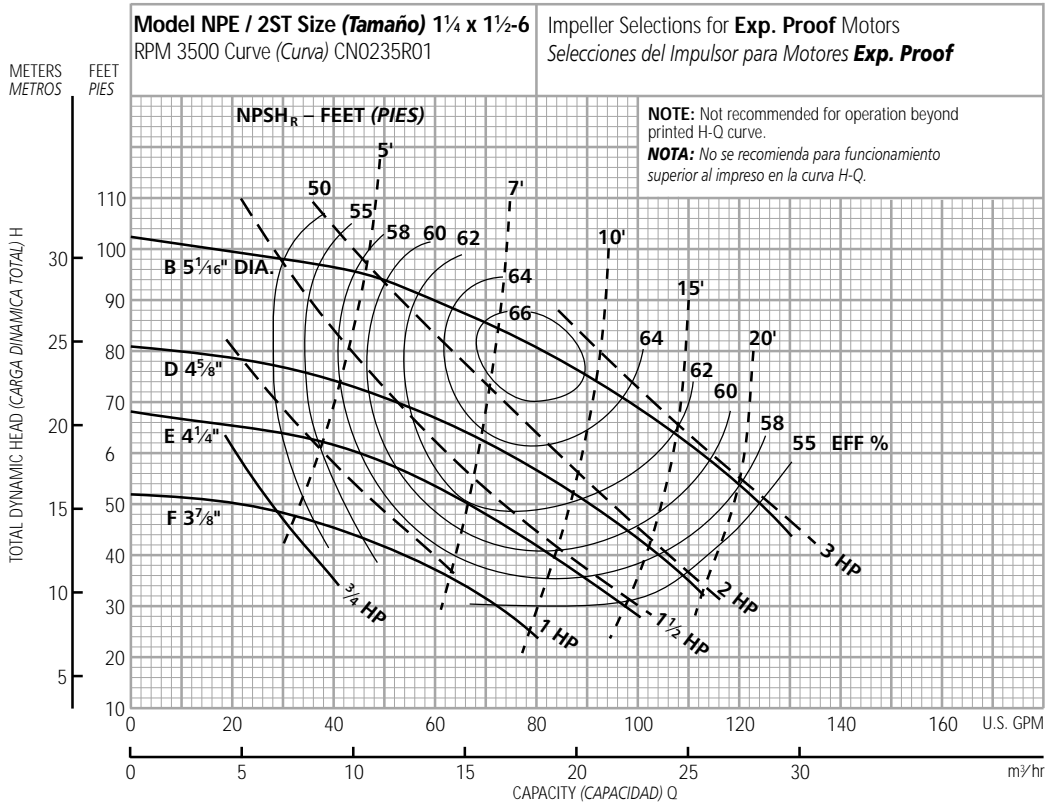
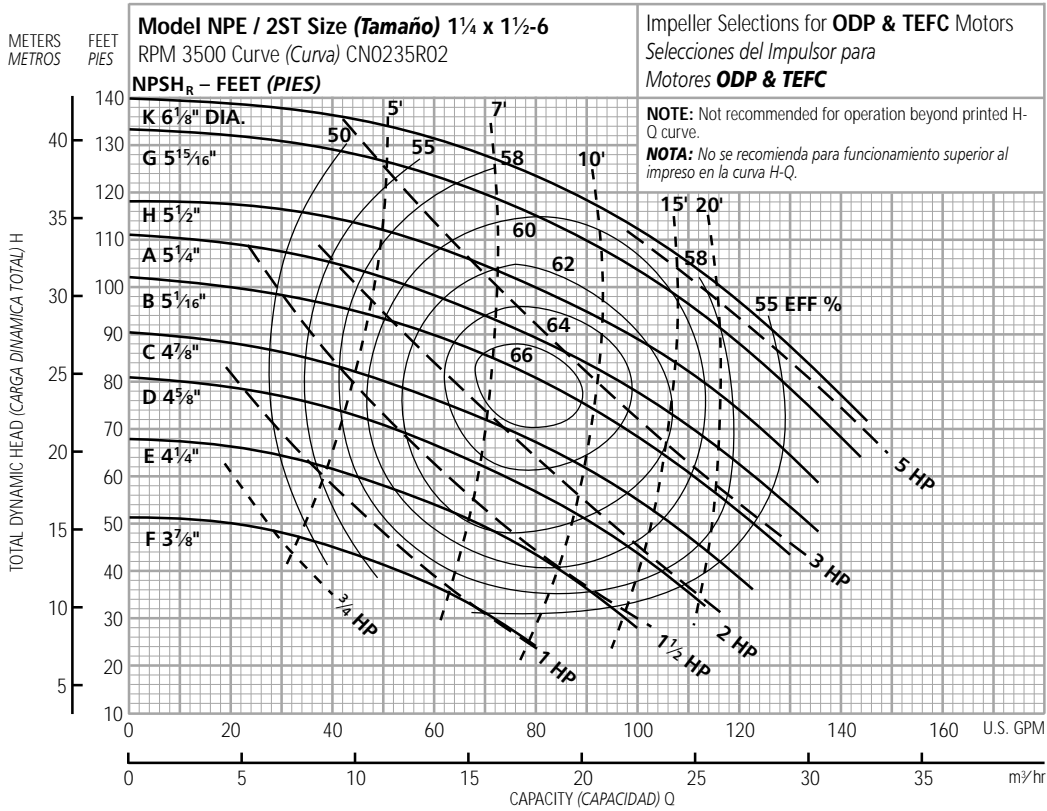


Ordering Code, Código de Pedido	Standard HP Rating, Estándar HP Potencia	Imp. Dia.
F	1/2	4 1/16" spec.
E	3/4	4 7/16"
D	1	4 3/4"
C	1 1/2	5 3/16"
B	2	5 3/4"
A	3	6 1/8"

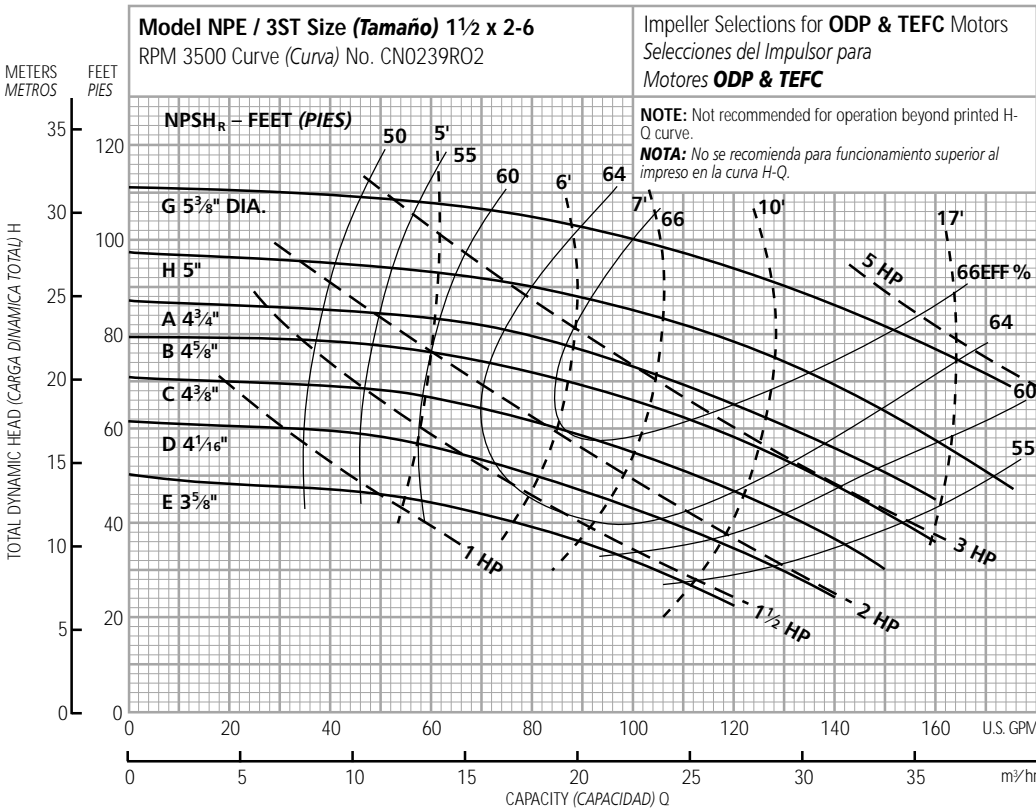
NOTE: Although not recommended, the pump may pass a 1/16" sphere.

NOTA: Si bien no se recomienda, la bomba puede pasar una esfera de 1/16".

Performance Curves – 60 Hz, 3500 RPM
Curvas de Funcionamiento – 60 Hz, 3500 RPM



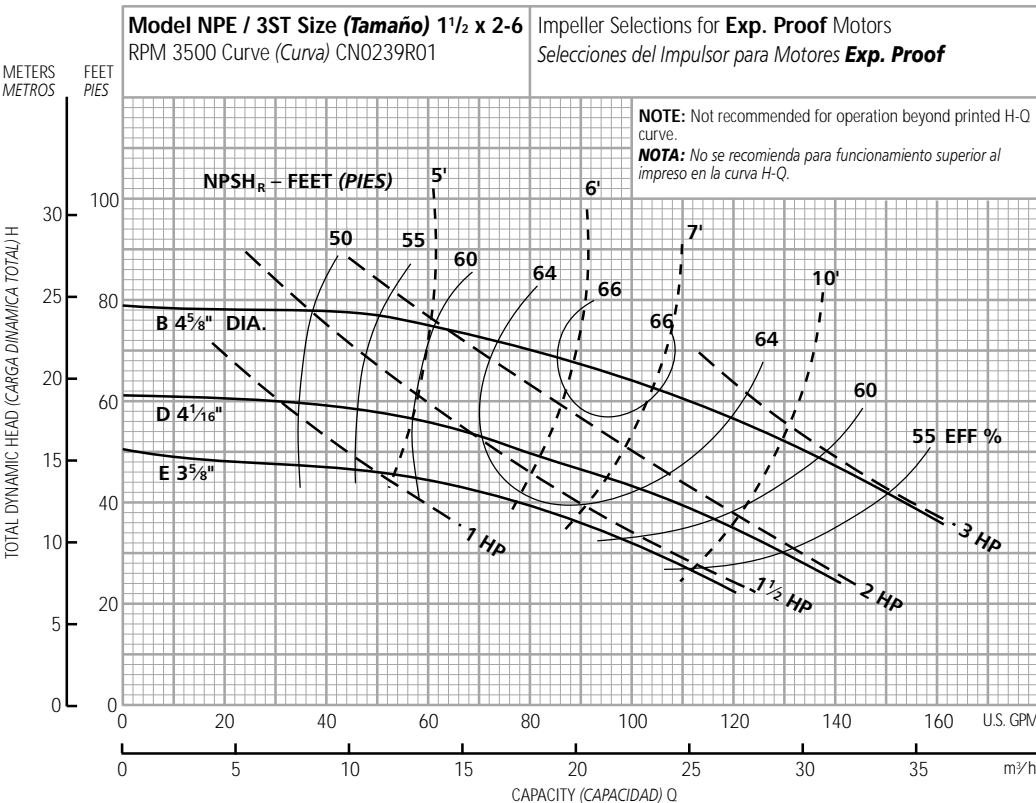
Performance Curves – 60 Hz, 3500 RPM
Curvas de Funcionamiento – 60 Hz, 3500 RPM



Ordering Code, Código de Pedido	Standard HP Rating, Estándar HP Potencia	Imp. Dia.
E	1	3 5/8"
D	1 1/2	4 1/16"
C	2	4 3/8"
B	3	4 5/8"
A	3	4 3/4"
H	5	5"
G	5	5 3/8"

NOTE: Although not recommended, the pump may pass a 1 1/32" sphere.

NOTA: Si bien no se recomienda, la bomba puede pasar una esfera de 1/32".



Ordering Code, Código de Pedido	Standard HP Rating, Estándar HP Potencia	Imp. Dia.
E	1 1/2	3 5/8"
D	2	4 1/16"
B	3	4 5/8"

NOTE: Although not recommended, the pump may pass a 1 1/32" sphere.

NOTA: Si bien no se recomienda, la bomba puede pasar una esfera de 1/32".

Repair Parts

MODEL

NPE/NPE-F

TABLE OF CONTENTS

NPE END SUCTION

NPE Product Line Numbering System	1
NPE Seal Chart (Part of Numbering System)	1
Parts List	2
Optional Components	2
Pictorial Breakdown of Pump	3
Impeller Chart Standard Impeller by Impeller Code	4
Impeller Chart by Motor Size at 3500 RPM	4
Motor Chart	5

NOTE:

For units built before September, 1997
The following upgrades are interchangeable.

- (1) Item 349 Guidevane O-Ring was upgraded from O-Ring to Square Seal Ring.
- (2) Pump Components have been upgraded from 304 SS to 316L SS
- (3) Mechanical Seal upgrades as noted on page 1
- (4) Pump Mounting location for motor adapter with foot to pump support are interchangeable.

NPE/NPE-F NUMBERING SYSTEM

1 ST 2 C 1 A 4 F

SEAL VENT/FLUSH OPTION MECHANICAL SEAL and O-RING

4 = Pre-Engineered Standard

For Optional Mechanical Seal modify catalog order no. with Seal Code listed below.

21 Mechanical Seal (5/8" seal)						
Seal Code	Rotary	Stationary	Elastomers	Metal Parts	Part No.	Casing O-Ring
2	Carbon	Sil-Carbide	EPR	316 SS	10K18*	EPR
4			Viton		10K55***	Viton
5	Sil-Carbide		EPR		10K81	EPR
6			Viton		10K62**	Viton

Note: *Replaces obsolete 10K56 **Replaces obsolete 10K29 ***Replaces obsolete 10K46 and 10K24

Impeller Option Code . . . No Adder Required

For Optional Impeller Diameters modify catalog order no. with Impeller code listed below.

Select Optional Impeller Diameter from Pump Performance Curve.

Impeller Code	Pump Size		
	1 x 1¼-6 Diameter	1¼ x 1½-6 Diameter	1½ x 2-6 Diameter
K		6⅛	
G		5 ¹⁵ / ₁₆	5 ³ / ₈
H		5½	5
A	6⅛	5¼	4¾
B	5¾	5 ¹ / ₁₆	4 ⁵ / ₈
C	5 ³ / ₁₆	4 ⁷ / ₈	4 ³ / ₈
D	4¾	4 ⁵ / ₈	4 ¹ / ₁₆
E	4 ⁷ / ₁₆	4¼	3 ⁵ / ₈
F	4 ¹ / ₁₆	3 ⁷ / ₈	

Note: Not recommended for operation beyond printed H-Q curve.

For critical application conditions consult factory.

Note: Not all combinations of motor, impeller and seal options are available for every pump model. Please check with G&L on non-cataloged numbers.

DRIVER

1 = 1PH, ODP 4 = 1 PH, TEFC 7 = 3 PH, XP
 2 = 3 PH, ODP 5 = 3 PH, TEFC 8 = 575 V, XP
 3 = 575 V, ODP 6 = 575 V, TEFC 0 = 1 PH, XP

HP RATING

C = ½ HP F = 1½ HP J = 5 HP
 D = ¾ HP G = 2 HP
 E = 1 HP H = 3 HP

DRIVER: HERTZ/POLE/RPM

1 = 60 HZ, 2 pole, 3500 RPM
 2 = 60 HZ, 4 pole, 1750 RPM
 3 = 60 HZ, 6 pole, 1150 RPM
 4 = 50 HZ, 2 pole, 2900 RPM
 5 = 50 HZ, 4 pole, 1450 RPM

MATERIAL

ST = Stainless Steel

PUMP SIZE

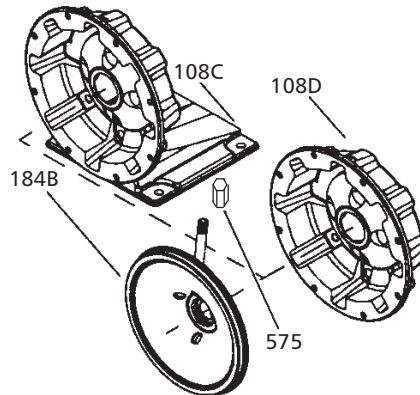
1 = 1 x 1¼ - 6 2 = 1¼ x 1½ - 6 3 = 1½ x 2 - 6

For Frame Mounted version, substitute the letters "FRM" in these positions.

NPE STANDARD REPAIR PARTS LIST

Item No.	Description	Materials of Construction	1ST 1 x 1¼	2ST 1¼ x 1½	3ST 1½ x 2	QTY.	
100	Casing	AISI 316L SS	1L81	1L82	1L83	1	
101	Impeller		See Impeller chart on page 4				1
108A	Motor adapter with foot		1L80	1			
108B	Motor adapter less foot		1L87				
108C	Motor adapter with foot & flush		1L334				
108D	Motor adapter less foot with flush		1L335				
123	Deflector	BUNA-N	5K7			1	
184A	Seal housing standard	AISI 316L SS		1L79		1	
184B	Seal housing with seal flush		1L333				
240	Motor support	300 SS		4L320		1	
	Rubber channel	Rubber		9K188		1	
304	Impeller locknut	AISI 316 SS		13K286		1	
347	Guidevane	AISI 316L SS	3L23	3L24	3L25	1	
349	Seal ring, guidevane	Viton standard	5K269	5K270		1	
		EPR	5K273	5K274			
		BUNA	5K271	5K272			
370	Socket head screw, casing	AISI 410 SS	13L65			8	
371	Bolts, motor	Steel/plated	13K252			4	
383	Mechanical seal	See Mechanical Seal Chart on Page 1				1	
408	Drain and vent plug, casing	AISI 316 SS		6L3		2	
412B	O-ring, drain plugs	Viton, standard		5L99		2	
		EPR		5L80			
		BUNA		5L62			
513	O-ring, casing	Viton standard		5K206		1	
		EPR		5K193			
		BUNA		5K4			
575	Pipe Cap	304 SS		6K150		1	

NOTE:
OPTIONAL SEAL FLUSH COMPONENTS

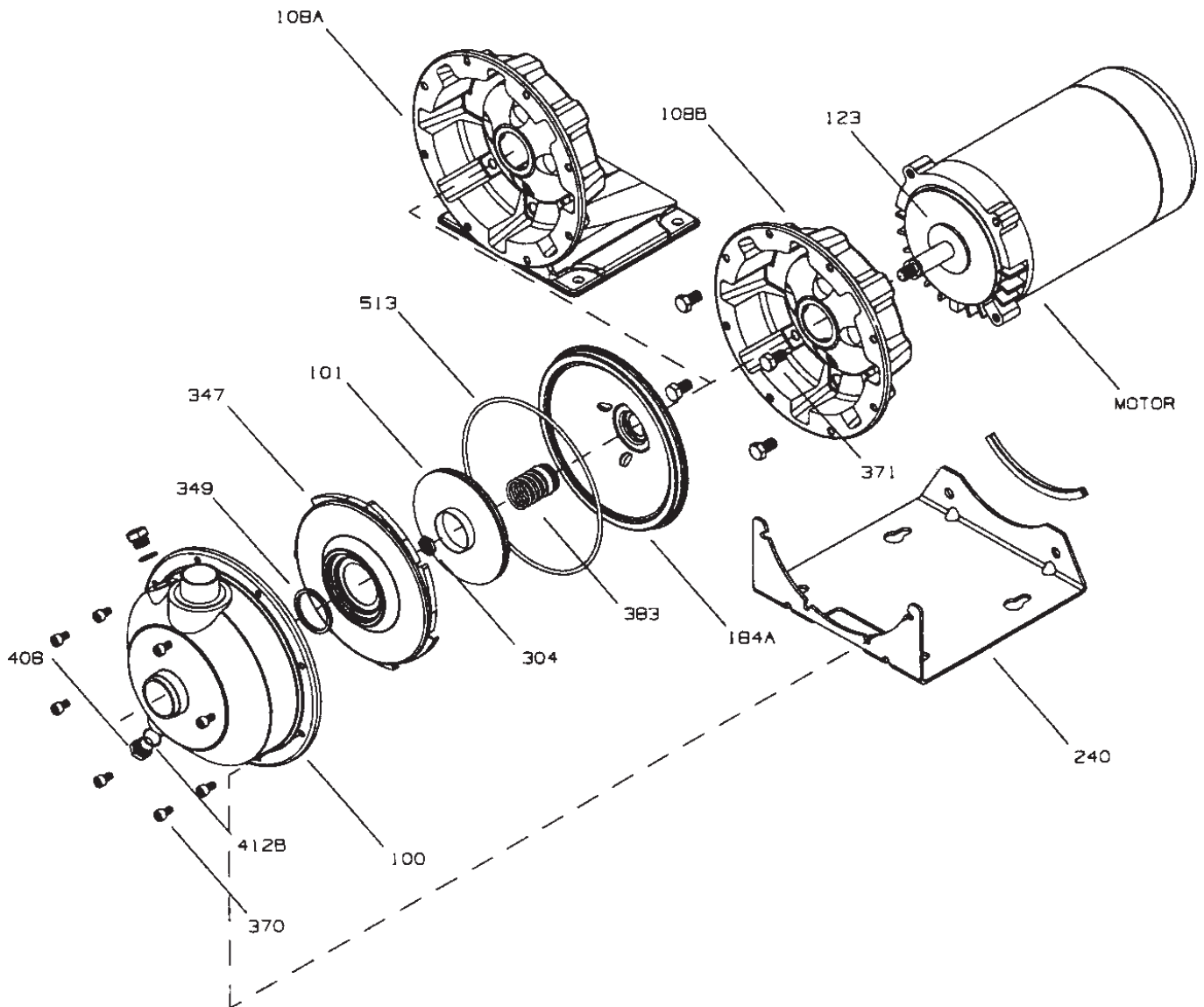


NOTE:

Close coupled units supplied with ½ HP 1750 RPM, ½ - 3 HP Explosion Proof or 5 HP motors, utilize motor adapter less foot and a footed motor.

NOTE:

Frame mounted units (NPE-F) utilize the XS Power Frame and motor adapter less foot. For repair parts for the power frame refer to the XS-Power frame repair parts page in the parts section of your catalog. To order the power frame complete order item 14L61.



NPE STANDARD IMPELLERS

Impeller Code	Pump Size					
	1 x 1¼-6		1¼ x 1½-6		1½ x 2-6	
	Diameter	Part No.	Diameter	Part No.	Diameter	Part No.
K			6⅞	2L885		
G			5 ¹⁵ / ₁₆	2L700	5 ³ / ₈	2L702
H			5½	2L699	5	2L701
A	6⅞	2L47	5¼	2L48	4¾	2L49
B	5¾	2L44	5 ¹ / ₁₆	2L54	4 ⁵ / ₈	2L58
C	5 ³ / ₁₆	2L46	4 ⁷ / ₈	2L53	4 ³ / ₈	2L57
D	4¾	2L42	4 ⁵ / ₈	2L52	4 ¹ / ₁₆	2L56
E	4 ⁷ / ₁₆	2L45	4¼	2L51	3 ³ / ₈	2L55
F	4 ¹ / ₁₆	2L59	3 ⁷ / ₈	2L50		

NPE STANDARD IMPELLERS BY MOTOR SIZE AT 3500 RPM

For ODP/TEFC Units Built After September 1, 1997

HP	HP Code		1ST		2ST		3ST	
			ODP/TEFC		ODP/TEFC		ODP/TEFC	
½	C	Repair #	2L45					
		Dia.	4 ⁷ / ₁₆					
		Imp. Code	E					
¾	D	Repair #	2L42	2L50				
		Dia.	4¾	3 ⁷ / ₈				
		Imp. Code	D	F				
1	E	Repair #	2L46	2L51	2L55			
		Dia.	5 ³ / ₁₆	4¼	3 ⁵ / ₈			
		Imp. Code	C	E	E			
1½	F	Repair #	2L44	2L52	2L56			
		Dia.	5¾	4 ⁵ / ₈	4 ¹ / ₁₆			
		Imp. Code	B	D	D			
2	G	Repair #	2L47	2L53	2L57			
		Dia.	6⅞	4 ⁷ / ₈	4 ³ / ₈			
		Imp. Code	A	C	C			
3	H	Repair #	2L47	2L48	2L49			
		Dia.	6⅞	5¼	4¾			
		Imp. Code	A	A	A			
5	J	Repair #		2L700	2L885	2L702		
		Dia.		5 ¹⁵ / ₁₆	6⅞	5 ³ / ₈		
		Imp. Code		G	K	G		

For Current Explosion Proof and All Units Built Before September 1, 1997

HP	HP Code		1ST		2ST		3ST	
			ODP	TEFC/EXP	ODP	TEFC/EXP	ODP	TEFC/EXP
½	C	Repair #	2L45	2L59				
		Dia.	4 ⁷ / ₁₆	4 ¹ / ₁₆				
		Imp. Code	E	F				
¾	D	Repair #	2L42	2L45	2L50			
		Dia.	4¾	4 ⁷ / ₁₆	3 ⁷ / ₈			
		Imp. Code	D	E	F			
1	E	Repair #	2L46	2L42	2L51	2L50	2L55	
		Dia.	5 ³ / ₁₆	4¾	4¼	3 ⁷ / ₈	3 ⁵ / ₈	
		Imp. Code	C	D	E	F	E	
1½	F	Repair #	2L44	2L46	2L52	2L51	2L56	2L55
		Dia.	5¾	5 ³ / ₁₆	4 ⁵ / ₈	4¼	4 ¹ / ₁₆	3 ⁵ / ₈
		Imp. Code	B	C	D	E	D	E
2	G	Repair #	2L47	2L44	2L53	2L52	2L57	2L56
		Dia.	6⅞	5¾	4 ⁷ / ₈	4 ⁵ / ₈	4 ³ / ₈	4 ¹ / ₁₆
		Imp. Code	A	B	C	D	C	D
3	H	Repair #	2L47	2L47	2L48	2L54	2L49	2L58
		Dia.	6⅞	6⅞	5¼	5 ¹ / ₁₆	4¾	4 ⁵ / ₈
		Imp. Code	A	A	A	B	A	B
5	J	Repair #			2L700	2L885	2L702	
		Dia.			5 ¹⁵ / ₁₆	6⅞	5 ³ / ₈	
		Imp. Code			G	K	G	

Note:** Max. Explosion Proof rating is 2 HP.

NPE CLOSE-COUPLED MOTORS

MODEL NPE 3500 RPM

HP	Single-Phase, 60 Hz, 115/230 V**, 56J Frame								
	Open, Drip-Proof ^①			Totally Enclosed, Fan Cooled			Explosion Proof		
	Order No.	Max. Amps	Wt. (lbs.)	Order No.	Max. Amps	Wt. (lbs.)	Order No.	Max. Amps	Wt. (lbs.)
1/2	E04853S	10.0/5.0	16	E04821	6.2/3.1	21	BBC04825	6.2/3.1	47
3/4	E05853S	14.0/7.0	19	E05821	8.8/4.4	24	BBC05825	8.8/4.4	41
1	E06853S	16.0/8.0	22	E06821	11.6/5.8	26	BBC06825	11.6/5.8	49
1 1/2	E07858S	21.4/10.7	31	E07821	16.2/8.1	35	BBC07825	16.2/8.1	56
2	E08854	26.8/13.4	36	E08821	20.8/10.4	39	BBC08825	20.8/10.4	60
3	E09854	14.0	40	E09821	11.89	44			
5	E10754	14.4	55						

Note:** 3 and 5 HP Single-Phase motors are 230 V only.

HP	Three-Phase, 60 Hz, 208-230/460 V, 56J Frame								
	Open, Drip-Proof ^①			Totally Enclosed, Fan Cooled			Explosion Proof		
	Order No.	Max. Amps	Wt. (lbs.)	Order No.	Max. Amps	Wt. (lbs.)	Order No.	Max. Amps	Wt. (lbs.)
1/2	E04873	2.6/1.3	19	E04876	1.9/.95	18	BBC04875	1.9/.95	27
3/4	E05873	3.4/1.7	19	E05876	2.3/1.15	21	BBC05875	2.3/1.15	30
1	E06873	4.2/2.1	22	E06876	3.2/1.6	21	BBC06875	3.2/1.6	30
1 1/2	E07878	5.8/2.9	25	E07876	4.8/2.4	27	BBC07875	4.8/2.4	37
2	E08874	6.9/3.3	39	E08876	5.4/2.7	33	BBC08875	5.4/2.7	44
3	E09874	7.2/3.6	31	E09876	7.6/3.8	37			
5	E10774	7.2/14.4	50	E10876	6.2/12.4	48			

① For vertical mounting order motor canopy separately - 9K272 for 1/2, 3/4 and 1 HP single phase or 9K273 for all other ODP motors.

MODEL NPE 1750 RPM

HP	Single-Phase, 60 HZ, 115/230 V, 56J Frame								
	Open, Drip-Proof ^①			Totally Enclosed, Fan Cooled			Explosion Proof		
	Order No.	Max. Amps	Wt. (lbs.)	Order No.	Max. Amps	Wt. (lbs.)	Order No.	Max. Amps	Wt. (lbs.)
1/2	E04811	8.6/4.3	19	E04812	8.0/4.0	20	BBC04815	8.0/4.0	45

HP	Three-Phase, 60 HZ, 208-230/460 V, 56J Frame								
	Open, Drip-Proof ^①			Totally Enclosed, Fan Cooled			Explosion Proof		
	Order No.	Max. Amps	Wt. (lbs.)	Order No.	Max. Amps	Wt. (lbs.)	Order No.	Max. Amps	Wt. (lbs.)
1/2	E04831	3.76/4.0/2.0	20	E04832	1.77/1.6/.8	20	BBC04835	1.77/1.6/.8	45

Note: Explosion Proof Motors are class 1 and 2, Group D

Magnehelic® Differential Pressure Gage

OPERATING INSTRUCTIONS



SPECIFICATIONS

Dimensions: 4-3/4" dia. x 2-3/16" deep.

Weight: 1 lb. 2 oz.

Finished: Baked dark gray enamel.

Connections: 1/8" NPT high and low pressure taps, duplicated, one pair side and one pair back.

Accuracy: Plus or minus 2% of full scale, at 70°F. (Model 2000-0, 3%; 2000-00, 4%).

Pressure Rating: 15 PSI (0,35 bar)

Ambient Temperature Range: 20° to 140°F (-7 to 60°C).

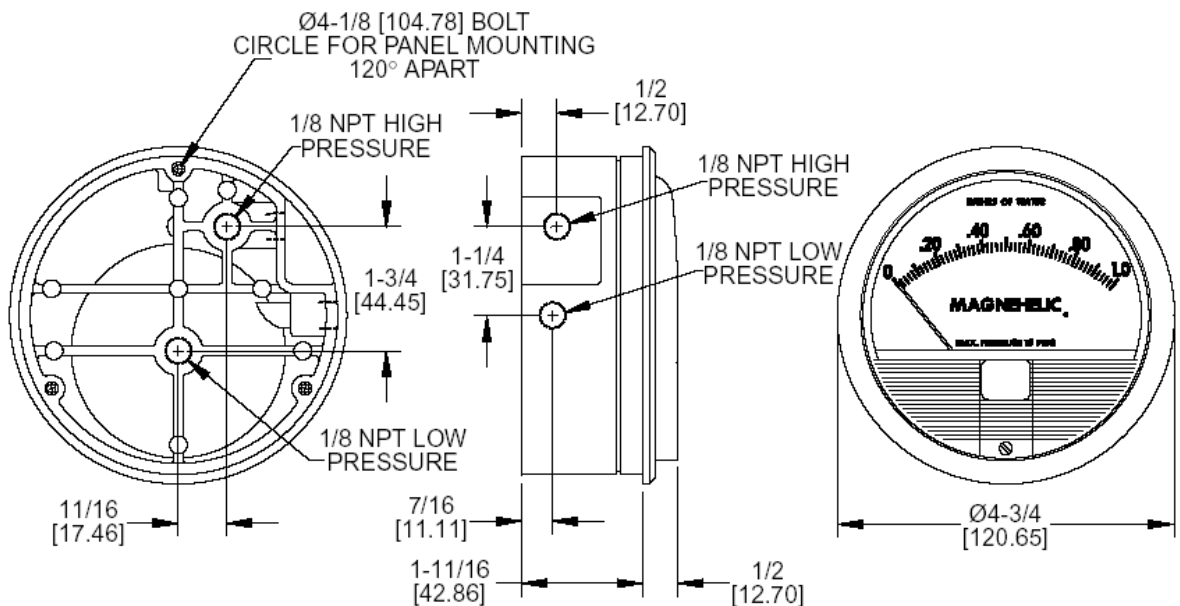
Standard gage accessories include two 1/8" NPT plugs for duplicate pressure taps, two 1/8" NPT pipe thread to rubber tubing adapters, and three flush mounting adapters with screws.



Caution: For use with air or compatible gases only.

For repeated over-ranging or high cycle rates, contact factory.

Not for use with Hydrogen gas. Dangerous reactions will occur.

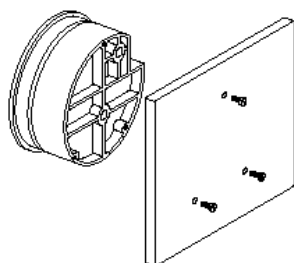


MAGNEHELIC® INSTALLATION

1. Select a location free from excessive vibration and where the ambient temperature will not exceed 140°F. Also, avoid direct sunlight which accelerates discoloration of the clear plastic cover. Sensing lines may be run any necessary distance. Long tubing lengths will not affect accuracy but will increase response time slightly. Do not restrict lines. If pulsating pressures or vibration cause excessive pointer oscillation, consult the factory for ways to provide additional damping.

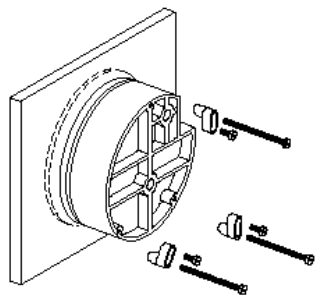
2. All standard Magnehelic gages are calibrated with the diaphragm vertical and should be used in that position for maximum accuracy. If gages are to be used in other than vertical position, this should be specified on the order. Many higher range gages will perform within tolerance in other positions with only rezeroing. Low range Model 2000-00 and metric equivalents must be used in the vertical position only.

3. Surface Mounting



Locate mounting holes, 120° apart on a 4-1/8" dia. circle. Use No. 6-32 machine screws of appropriate length.

4. Flush Mounting



Provide a 4-9/16" dia. opening in panel. Insert gage and secure in place with No. 6-32 machine screws of appropriate length, with adapters, firmly secured in place. To mount gage on 1-1/4"-2" pipe, order optional A-610 pipe mounting kit.

5. To zero the gage after installation

Set the indicating pointer exactly on the zero mark, using the external zero adjust screw on the cover at the bottom. Note that the zero check or adjustment can only be made with the high and low pressure taps both open to atmosphere.

Operation

Positive Pressure: Connect tubing from source of pressure to either of the two high pressure ports. Plug the port not used. Vent one or both low pressure ports to atmosphere.

Negative Pressure: Connect tubing from source of vacuum or negative pressure to either of the two low pressure ports. Plug the port not used. Vent one or both high pressure ports to atmosphere.

Differential Pressure: Connect tubing from the greater of two pressure sources to either high pressure port and the lower to either low pressure port. Plug both unused ports.

When one side of the gage is vented in dirty, dusty atmosphere, we suggest an A-331 Filter Vent Plug be installed in the open port to keep inside of gage clean.

A. For portable use of temporary installation use 1/8" pipe thread to rubber tubing adapter and connect to source of pressure with rubber or Tygon tubing.

B. For permanent installation, 1/4" O.D., or larger, copper or aluminum tubing is recommended. See accessory bulletin S-101 for fittings.

Ordering Instructions:

When corresponding with the factory regarding Magnehelic® gage problems, be sure to include model number, pressure range, and any special options. Field repair is not recommended; contact the factory for repair service.

MAINTENANCE

Maintenance: No lubrication or periodic servicing is required. Keep case exterior and cover clean. Occasionally disconnect pressure lines to vent both sides of gage to atmosphere and re-zero. Optional vent valves, (bulletin S-101), should be used in permanent installations.

Calibration Check: Select a second gage or manometer of known accuracy and in an appropriate range. Using short lengths of rubber or vinyl tubing, connect the high pressure side of the Magnehelic gage and the test gage to two legs of a tee. Very slowly apply pressure through the third leg. Allow a few seconds for pressure to equalize, fluid to drain, etc., and compare readings. If accuracy unacceptable, gage may be returned to factory for recalibration. To calibrate in the field, use the following procedure.

Calibration:

1. With gage case, held firmly, loosen bezel, by turning counterclockwise. To avoid damage, a canvas strap wrench or similar tool should be used.
2. Lift out plastic cover and "O" ring.
3. Remove scale screws and scale assembly. Be careful not to damage pointer.
4. The calibration is changed by moving the clamp. Loosen the clamp screw(s) and move slightly toward the helix if gage is reading high, and away if reading low. Tighten clamp screw and install scale assembly.
5. Place cover and O-ring in position. Make sure the hex shaft on inside of cover is properly engaged in zero adjust screw.
6. Secure cover in place by screwing bezel down snug. Note that the area under the cover is pressurized in operation and therefore gage will leak if not properly tightened.
7. Zero gage and compare to test instrument. Make further adjustments as necessary.

Caution: If bezel binds when installing, lubricate threads sparingly with light oil or molybdenum disulphide compound.

Warning: Attempted field repair may void your warranty. Recalibration or repair by the user is not recommended. For best results, return gage to the factory. Ship prepaid to:

Dwyer Instruments, Inc.
Attn: Repair Dept.
102 Indiana Highway 212
Michigan City, IN 46360

Trouble Shooting Tips:

•*Gage won't indicate or is sluggish.*

1. Duplicate pressure port not plugged.
2. Diaphragm ruptured due to overpressure.
3. Fittings or sensing lines blocked, pinched, or leaking.
4. Cover loose or "O" ring damaged, missing.
5. Pressure sensor, (static tips, Pitot tube, etc.) improperly located.
6. Ambient temperature too low. For operation below 20°F, order gage with low temperature, (LT) option.

•*Pointer stuck-gage can't be zeroed.*

1. Scale touching pointer.
2. Spring/magnet assembly shifted and touching helix.
- 3. Metallic particles clinging to magnet and interfering with helix movement.**
4. Cover zero adjust shaft broken or not properly engaged in adjusting screw.

We generally recommend that gages needing repair be returned to the factory. Parts used in various sub-assemblies vary from one range of gage to another, and use of incorrect components may cause improper operation. After receipt and inspection, we will be happy to quote repair costs before proceeding.

Consult factory for assistance on unusual applications or conditions.

Use with air or compatible gases only.



Series 1950 – Explosion-Proof Differential Pressure Switches

Specifications - Installation and Operating Instructions

UL and CSA Listed, FM Approved For

CL. I GR. C, D - CL. II GR. E, F, G - CL. III

Series 1950 Switches

Operating ranges and deadbands

To order specify Model Number	Operating Range: Inches, W.C.	Approximate Dead Band	
		At Min. Set Point	At Max. Set Point
1950-02	0.03 to 0.10	0.025	0.05
1950-00	0.07 to 0.15	0.04	0.05
1950-0	0.15 to 0.5	0.10	0.15
1950-1	0.4 to 1.6	0.15	0.20
1950-5	1.4 to 5.5	0.3	0.4
1950-10	3.0 to 11.0	0.4	0.5
1950-20	4.0 to 20.0	0.4	0.6
Model Number	Operating Range: PSI	Approximate Dead Band	
		Min. Set Point	Max. Set Point
1950P-2	0.5 to 2.0	0.3 PSI	0.3 PSI
1950P-8	1.5 to 8.0	1.0 PSI	1.0 PSI
1950P-15	3.0 to 15.0	0.9 PSI	0.9 PSI
1950P-25	4.0 to 25.0	0.7 PSI	0.7 PSI
1950P-50	15.0 to 50	1.0 PSI	1.5 PSI

PHYSICAL DATA

Temperature Limits: -40° to 140°F (-40° to 60°C); 1950P-8, -15, -25, -50: 0° to 140°F (-17.8° to 60°C); 1950-02: -30° to 130°F (-34.4° to 54.4°C).

Rated Pressure: 1950: 45 in. w.c. (0.1 bar); 1950P: 35 psi (2.4 bar); 1950P-50 only: 70 psi (4.8 bar).

Maximum Surge Pressure: 1950: 10 psi (0.7 bar); 1950P: 50 psi (3.4 bar); 1950P-50 only: 90 psi (6.2 bar).

Pressure Connections: 1/8" NPT(F).

Electrical Rating: 15A, 125, 250, 480 volts, 60 Hz. AC Resistive 1/8 H.P. @ 125 volts, 1/4 H.P. @ 250 volts, 60 Hz. AC.

Wiring Connections: 3-screw type; common, normally open and normally closed.

Conduit Connections: 1/2" NPT(F).

Set point adjustment: Screw type on top of housing, field adjustable.

Housing: Anodized cast aluminum.

Diaphragm: Molded fluorosilicone rubber, 02 model: silicone on Nylon.

Calibration Spring: Stainless Steel

Installation: Mount with diaphragm in vertical position.

Weight: 3 1/4 lbs (1.5 kg), 02 model; 4 lbs, 7 oz. (2 kg).

RESPONSE TIME: Because of restrictive effect of flame arrestors, switch response time may be as much as 10-25 seconds where applied pressures are near set point.



Series 1950 Explosion-Proof Differential Pressure Switches

combine the best features of the Dwyer Series 1900 Pressure Switch with an integral explosion-proof and weather-proof housing. Each unit is UL & CSA listed; FM approved for use in Class I, Groups C & D; Class II, Groups E, F, & G; and Class III atmospheres (NEMA 7 & 9). They are totally rain-tight for outdoor installations. Twelve models allow set-points from .03 to 20 inches w.c. and from .5 to 50 psi (3.4 to 345 kPa).

Easy access to the SPDT switch for electrical hook-up is provided by removing the top plate of the three-part aluminum housing. Adjustment to the set point of the switch can be made without disassembling the housing. The unit is very compact, about half the weight and bulk of equivalent conventional explosion-proof switches.

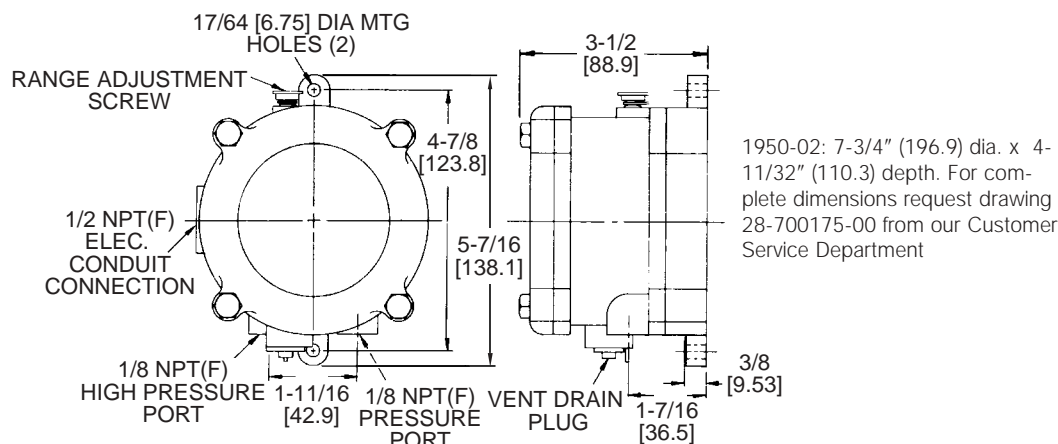
CAUTION

For use only with air or compatible gases. Use of the Model 1950 switch with explosive media connected to the Low pressure port (including differential pressure applications in such media) is not recommended. Switch contact arcing can cause an explosion inside the switch housing which, while contained, may render the switch inoperative. If switch is being used to sense a single positive pressure relative to atmosphere, run a line from the low pressure port to a non-hazardous area free of combustible gases. This may increase response time on -0 and -00 models.

NOTE: The last number-letter combination in the model number identifies the switch's electrical rating (number) and diaphragm material (letter). The 2F combination is standard as described in the physical data above. In case of special models, a number 1 rating is the same as 2; a number 3 or 4 rating is 10A 125, 250, 480 VAC; 1/8 H.P. 125 VAC; 1/4 H.P. 250 VAC; a number 5 or 6 rating is 1A 125 VAC. Letter B indicates a Buna-N diaphragm; N = Neoprene; S = Silicone; and V = Viton®.

Series 1950 – Explosion-Proof Differential Pressure Switches

Specifications - Installation and Operating Instructions



1950 Switch Outline Dimensions

INSTALLATION

1. Select a location free from excess vibration and corrosive atmospheres where temperatures will be within the limits noted under Physical Data on page 1. Switch may be installed outdoors or in areas where the hazard of explosion exists. See page 1 for specific types of hazardous service.

2. Mount standard switches with the diaphragm in a vertical plane and with switch lettering and Dwyer nameplate in an upright position. Some switches are position sensitive and may not reset properly unless they are mounted with the diaphragm vertical.

3. Connect switch to source of pressure, vacuum or differential pressure. Metal tubing with 1/4" O.D. is recommended, but any tubing which will not restrict the air flow can be used. Connect to the two 1/8" NPT(F) pressure ports as noted below:

- A. Differential pressures - connect pipes or tubes from source of greater pressure to high pressure port marked HIGH PRESS, and from source of lower pressure to low pressure port marked LOW PRESS.
- B. Pressure only (above atmospheric pressure) - connect tube from source of pressure to high pressure port. The low pressure port is left open to atmosphere.
- C. Vacuum only (below atmospheric pressure) - connect tube from source of vacuum to low pressure port. The high pressure port is left open to atmosphere.

4. To make electrical connections, remove the three hex head screws from the cover and after loosening the fourth captive screw, swing the cover aside. Electrical connections to the standard single pole, double throw snap switch are provided by means of terminals marked "COM" (common), "NO" (norm open), "NC" (norm closed). The normally open contacts close and the normally closed contacts open when pressure increases beyond the set point.

Switch loads for standard models should not exceed the maximum specified current rating of 15 amps resistive. Switch capabilities decrease with an increase in ambient temperature, load inductance, or cycling rate. Whenever an application involves one or more of these factors, the user may find it desirable to limit the switched current to 10 amps or less in the interest of prolonging switch life.

ADJUSTMENT: To Change the Set point

1. Remove the plastic cap and turn the slotted Adjust-ment Screw at the top of the housing clockwise to raise the set point pressure and counter-clockwise to lower the set point. After calibration, replace the plastic cap and re-check the set point.

2. The recommended procedure for calibrating or checking calibration is to use a "T" assembly with three rubber tubing leads, all as short as possible and the entire assembly offering minimum flow restriction. Run one lead to the pressure switch, another to a manometer of known accuracy and appropriate range, and apply pressure through the third tube. Make final approach to the set point very slowly. Note that manometer and pressure switch will have different response times due to different internal volumes, lengths of tubing, fluid drainage, etc. Be certain the switch is checked in the position it will assume in use, i.e. with diaphragm in a vertical plane and switch lettering and Dwyer nameplate in an upright position.

3. For highly critical applications check the set point adjustment and if necessary, reset it as noted in step A.

MAINTENANCE

The moving parts of these switches need no maintenance or lubrication. The only adjustment is that of the set point. Care should be taken to keep the switch reasonably clean. Periodically the vent drain plug should be rotated, then returned to its original position. This will dislodge deposits which could accumulate in applications where there is excessive condensation within the switch.

Warrick®

Series M Mechanical Tilt Float Switch

Installation and Operation Bulletin

Specifications

Cord	16 gauge, 2 or 3 conductor SJOW, Oil Resistant CPE
Contact Rating	13 amp @ 120/240 VAC, 1/2hp
Contact Design	SPST, Normally Open or Normally Closed, Common with N.O. & N.C. (Form C)
Temperature Rating	32°F to 140°F (0°C to 60°C)
Overall Weight	1.0 lbs. (not including weight)
Tether Method	Tie-wrap nylon, weight: 2.5 lbs.
Approvals	U.L. Recognized, CSA Certified

Installation

Tether Tie-Wrap (Fig 1)

Attach cord, using a tie-wrap, to a stationary structure. This is known as the tether point, it will determine the pumping range. The farther the float is placed from the tether point, the greater the pumping range. The minimum distance that the float should be placed from the tether point is 3 inches.

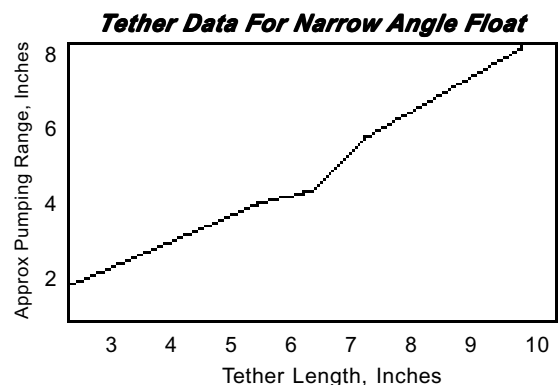
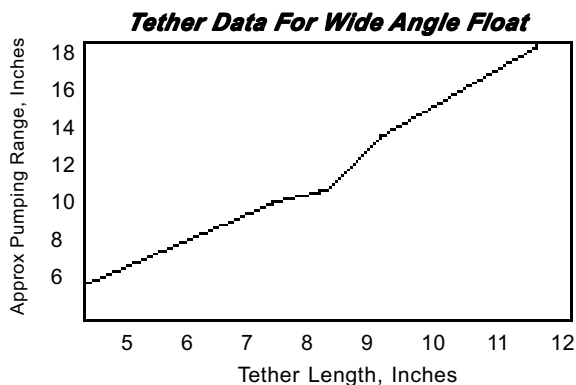
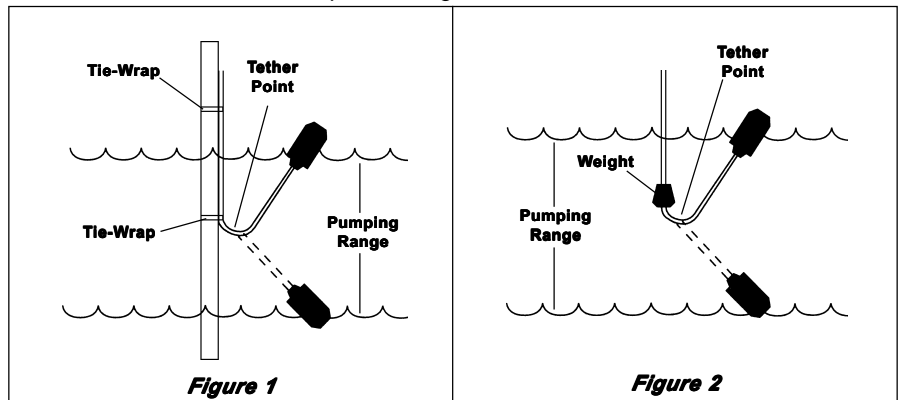
Tether-Weight (Fig 2)

Place tension-brand over the cord before installation. Place the weight at the desired position and secure with the tension-band. This position will determine the pumping range. The farther the float is placed from the tether point, the greater the pumping range. The minimum distance that the float should be placed from the tether point is 3 inches.

Notes:

1. To Prevent Motor Burnout - In a pumpdown application make sure the turn-off level is at least 2 inches above the intake of the submersible pump.
2. Securing Tether Points - Make sure levels are correct and that floats are free from any obstructions before securing tether points.
3. When using Tether Weight - Place the tension-band over the cord prior to installation.

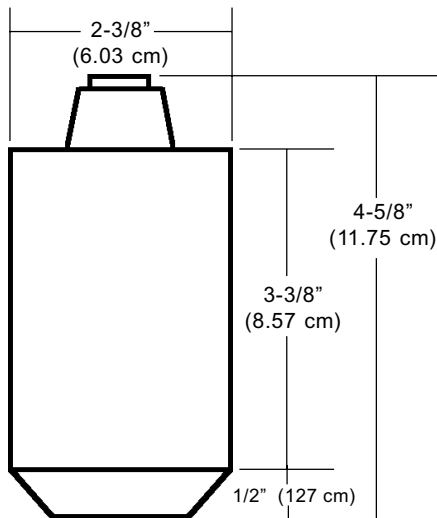
Determine tether point using charts below as a reference



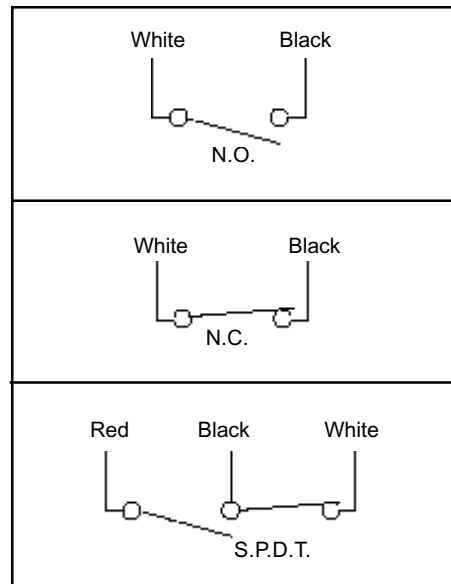
Notes:

1. Narrow angle pumping range is approximately 2 Ft. to 8 Ft.
2. Wide angle pumping range is approximately 5 Ft. to 18 Ft.

Dimensions



Contact Configurations



Important Points:

- Gems products must be maintained and installed in strict accordance with the National Electrical Code and the applicable Gems Product Instruction Bulletin that covers installation, operation and proper maintenance. Failure to observe this information may result in serious injury or damages.
- For hazardous area applications involving such things as, but not limited to, ignitable mixtures, combustible dust and flammable materials, use an appropriate explosionproof enclosure or intrinsically safe interface device.
- Please adhere to the pressure and temperature limitations shown throughout this catalog for our level and flow sensors. These limitations must not be exceeded. These pressures and temperatures take into consideration possible system surge pressures/temperatures and their frequencies.
- Selection of materials for compatibility with the media is critical to the life and operation of Gems products. Take care in the proper selection of materials of construction, testing is required.
- NSF-approved sensors are made of materials approved for potable water applications according to Standard 61.
- Stainless steel is generally regarded as safe by NSF and FDA.
- Life expectancy of switch contacts varies with application. Contact Gems if life cycle testing is required.
- Ambient temperature changes do affect switch set points, since the gravity of a liquid can vary with temperature.
- Our sensors have been designed to resist shock and vibration. However, shock and vibration should be minimized.
- Filter liquid media containing particulate and/or debris to ensure the proper operation of our products.
- Electrical entries and mounting points in an enclosed tank may require liquid/vapor sealing.
- Our sensors must not be field-repaired.
- Physical damage sustained by product may render it unserviceable.

Return Policy

Returns are accepted on stock items up to 30 days from date of order. You must contact our Returns Department for a Return Authorization (RA) number. Return the goods - freight prepaid - in the original container and include original packing slip. C. O. D. returns are not accepted. Gems reserves the right to apply restocking charges.

Tel: 860-793-4357
Fax: 860-793-4563



Gems Sensors Inc.
One Cowles Road
Plainville, CT 06062-1198
Tel: 860-793-4579
Fax: 860-793-4580