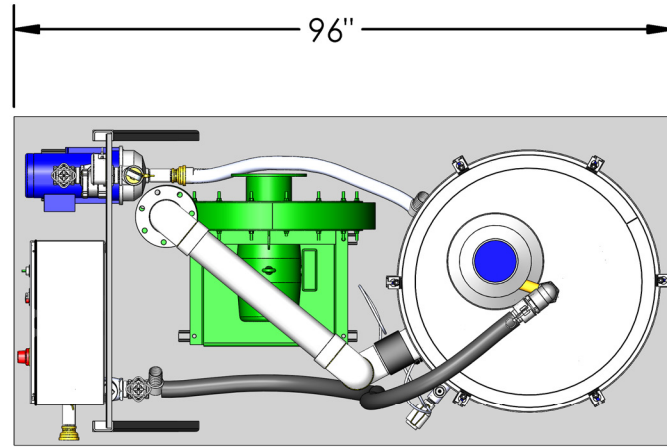


E-Z Stacker 4.6P Skid

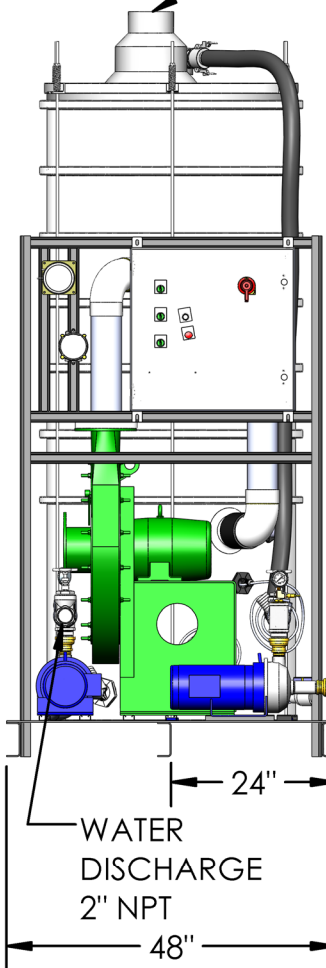
GENERAL SPECIFICATIONS

- Max. flow rate: 40GPM
- Air flow: 280CFM
- Sump working vol.: 93 gallons
- Materials of construction:
HDPE, neoprene gaskets

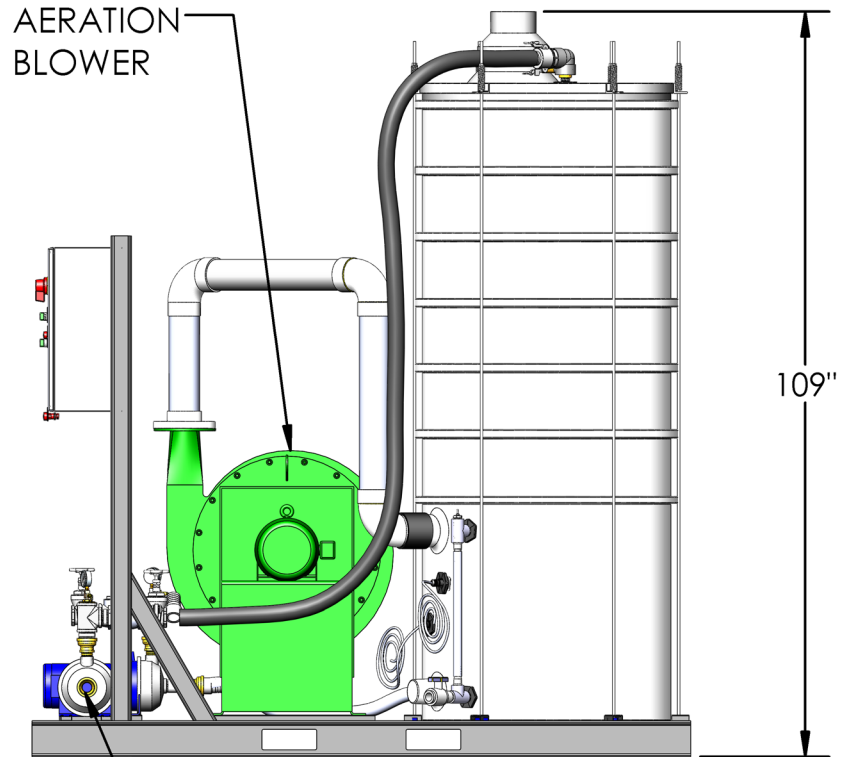


PLAN VIEW

AIR DISCHARGE
6" PIPE



FRONT VIEW



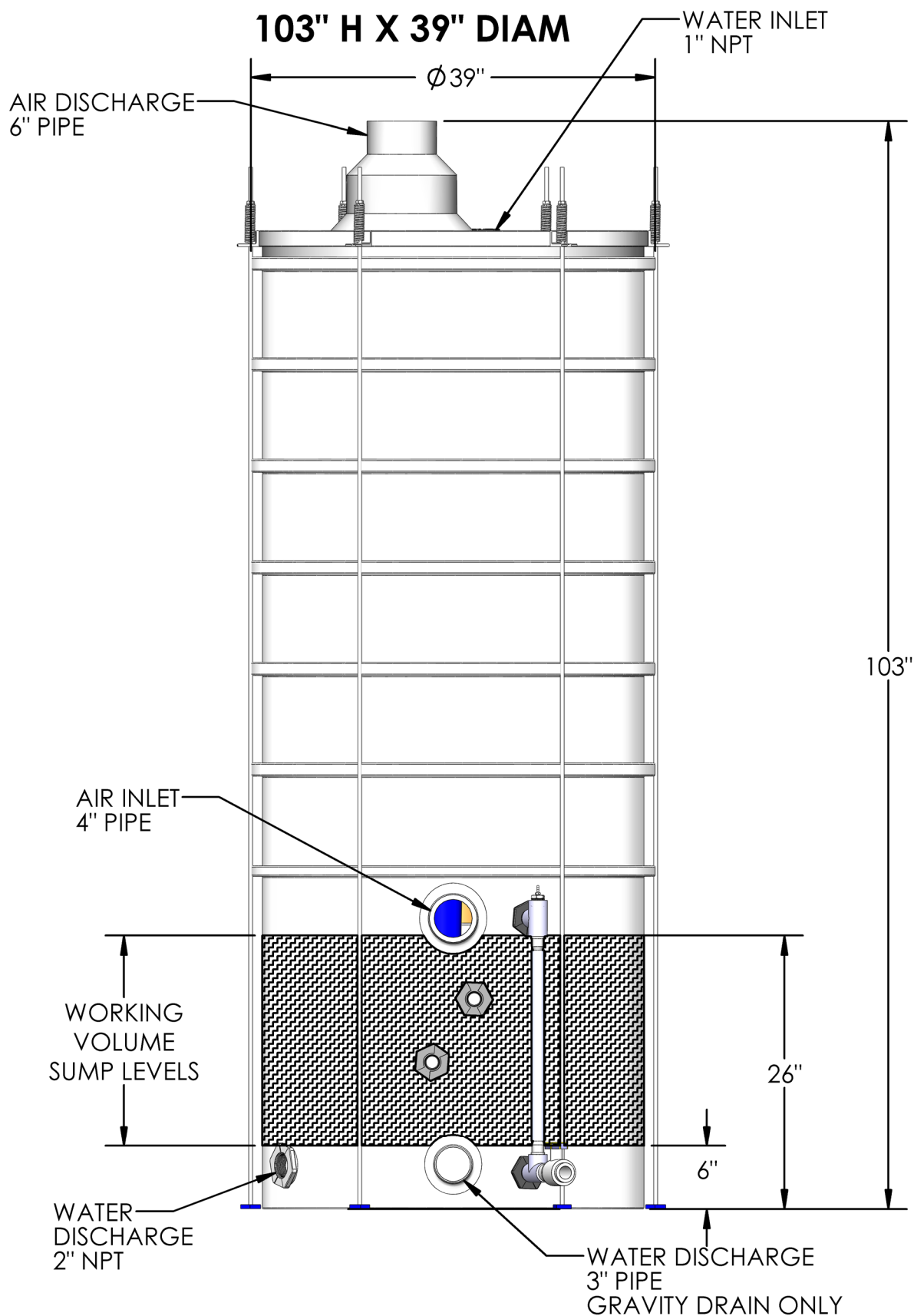
WATER INLET 2" NPT

SIDE VIEW

EXAMPLE OF A SKID SYSTEM WITH CONTROL PANEL, PUMPS, AND BLOWER CONTACT QED FOR INFORMATION ON ALL OPTIONS.
NOT TO SCALE, NOT FOR CONSTRUCTION, FOR REFERENCE ONLY
LICENSED UNDER PATENT # 10,272,356 B2 AND
MORE U.S. AND NON U.S. PATENTS.



E-Z Stacker 4.6P



E-Z Stacker 4.6P STRIPPER ONLY.
CONTACT QED FOR INFORMATION ON ALL OPTIONS.
NOT TO SCALE, NOT FOR CONSTRUCTION, FOR REFERENCE ONLY
LICENSED UNDER PATENT # 10,272,356 B2 AND
MORE U.S. AND NON U.S. PATENTS.

